

Date Project Part #



Features

- Up to 6,000 Lumens, 133 L/W
- Certified for Magnetic HID Ballast & 100-277 VAC
- Integrated Patented Optic provides:
- Low uplight & glare: B2-U3-G2
- 3x cd/lumen higher efficiency over cor lamps
- House side shield option: B1-U3-G1
- 80 CRI Standard, High CRI optional
- Wireless control options
- Temperature protection with full output:
 - T(Ambient) = 65°C/150F for 30W
 - T(Ambient) = 45°C/115F for 45W
- Socket extender option sold separately
- Enclosed fixture rated
- Five years or 50,000 hours warranty²
- See website for Installation Guide/IES files

World Wide Certifications

- UL, DLC, CE, CB, PSE, CCC, SAA, RoHS/REACH for selected models
- IP52 / UL Damp Listed
- IP65 / UL Wet Listed optional - special order
- See regional ordering table



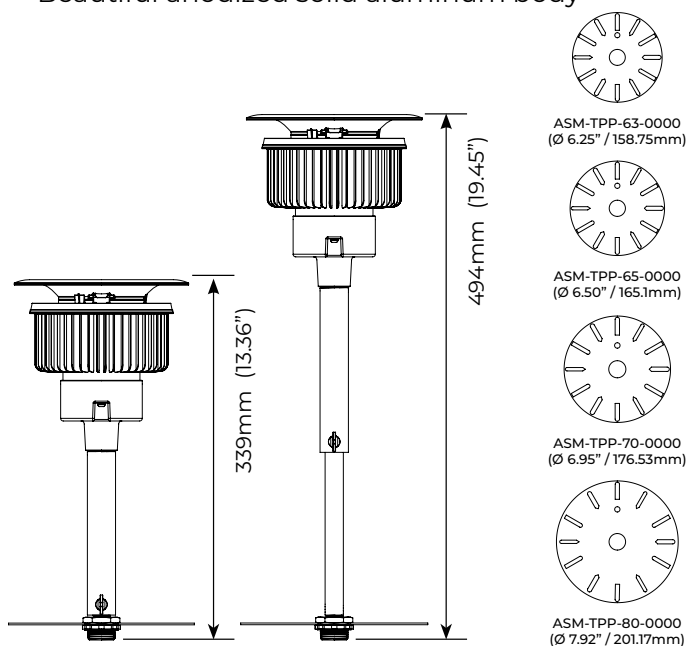
IP52

Control Options

- Wireless Options:
 - Synpase, Casambi, Avi-On
- Non Wireless Options:
 - Occupancy & Daylight, Manual Power Set
- Dims to 10% then to off
- Controls not compatible with ballast operation

Mechanical

- Extendable pole
- Beautiful anodized solid aluminum body



1. Unless otherwise specified, all values are typical at 25°C, 240VAC
 2. See [limited warranty for details](#)
 3. Specifications subject to change without notice

4. Not intended for use in environments containing airborne corrosive agents such as chemicals, solvents, or cutting fluids

Date Project Part #

Part # Key

- Not all combinations are valid or readily available - See ordering table for standard models
- Call for availability of custom features - MOQ may apply
- Example Part Number: VA6-FIX-045-8-40-VL-AN-B90-000-CSM-T070-000-WIRE-FL

Series		Lamp Base		Power		CRI		CCT		Driver		Finish		Optics		Lamp Acc. (Field Install)		Control Module (Field Install)		
VA6	VA6	FIX FIP FEU FEP	IP52 UL IP65 UL IP52 CE IP65 CE	030 045	30W 45W	8 9	80 CRI 90 CRI	22 27 30 35 40 50	2200K 2700K 3000K 3500K 4000K 5000K	VL	100-277V	AN	Anodized	B90	90° Beam	000 PT1 PT3	None (Base Model) Post Top Type 5 Post Top Type 3	000 OC1 BLE CSM SYN PRI	None (Base Model) Occupancy & Daylight Bluetooth (Avi-On) Casambi Synapse Manual Set Dim	
Mounting/Plate			Mounting Color		Termination		Other													
T000	Telescope w/ no plate		000	Standard	WIRE	Bare Wire	FL													
T063	Telescope + Ø 6.25"				L715	L715														
T065	Telescope + Ø 6.5"				RLC	RLC														
T070	Telescope + Ø 6.95"																			
T080	Telescope + Ø 7.92"																			

Photometry

- 50° glare cutoff with UGRave < 18
- Field-installed optical accessories without the need for tools (Options include uplights and dif-fusers)

CRI	Power	Lumens @ CCT					
		2200K	2700K	3000K	3500K	4000K	5000K
80	30W	3,247	3,620	3,832	4,001	4,142	4,142
	45W	4,696	5,236	5,543	5,788	5,992	5,992
90	30W	2,674	2,982	3,156	3,296	3,412	3,412
	45W	3,869	4,313	4,566	4,768	4,936	4,936

Electrical (VH & VL Drivers)

- VL: Line Voltage 100-277 VAC, 50-60 Hz
- VH: Hybrid: Ballast Compatible and Line Voltage 100-277 VAC
- < 1% flicker
- 6 kV surge protection, PF>0.9/THD<20%

	Amps @ Line Voltage (VAC)					
	100V	110V	120V	220V	240V	277V
30W	0.30A	0.27A	0.25A	0.14A	0.13A	0.11A
45W	0.45A	0.41A	0.38A	0.20A	0.19A	0.16A

HID Ballast Compatibility (VH Driver)

The Hybrid series is compatible with HID magnetic ballast between 175-600W. Such ballast types include probe start, pulse start, CWA, or reactive. The table below shows compatible ballast that have been tested. Input to ballast may be up to 480V. Optical distribution and lumen output are constant regardless of Ballast type or wattage. Ballast operation is not compatible with dimming or controls.

Type	HID Ballast Compatibility					
	45-70W	100W	150W	175W	200W	250W
Metal Halide	M98 M110 M143	M90	-	M57 M137 M152 MH175	-	M138 M153 MH250
HPS	NG50 NG70	NG100	NG150	-	S66	S50 NG250
MV	-	-	-	H175	-	-

USA, Canada

Date Project Part #

Applicable Regions

- USA, Canada



IP52



Summary

- Certified to DLC Premium
- IP52 and UL Listed for damp locations
- Control modules and optical accessories are shipped separately and installed to the base lamp model by the user
 - Can be installed at the factory - Inquire for availability
- Non-quick ship items may be subject to longer lead times and MOQ
- Additional CCT / CRI / Power combinations may be available as a custom order - Inquire for availability

Ordering Table - Telescoping Pole with No Plate

CRI	CCT	Power	Lumen	L/W	Part Number	Product Code	Quick Ship
80	2200K	30W	2,952	98	VA6-FIX-030-8-22-VL-AN-B90-PT1-000-T000-WIRE	03542	N
80	2200K	45W	4,237	94	VA6-FIX-030-8-22-VL-AN-B90-PT1-000-T000-WIRE	03246	N
80	2700K	30W	3,267	109	VA6-FIX-030-8-27-VL-AN-B90-PT1-000-T000-WIRE	03543	N
80	2700K	45W	4,699	104	VA6-FIX-045-8-27-VL-AN-B90-PT1-000-T000-WIRE	03247	N
80	3000K	30W	3,356	112	VA6-FIX-030-8-30-VL-AN-B90-PT1-000-T000-WIRE	03548	Y
80	3000K	45W	4,823	107	VA6-FIX-045-8-30-VL-AN-B90-PT1-000-T000-WIRE	03248	Y
80	3500K	30W	3,453	115	VA6-FIX-030-8-35-VL-AN-B90-PT1-000-T000-WIRE	03549	N
80	3500K	45W	4,961	110	VA6-FIX-045-8-35-VL-AN-B90-PT1-000-T000-WIRE	03249	N
80	4000K	30W	3,550	118	VA6-FIX-030-8-40-VL-AN-B90-PT1-000-T000-WIRE	03550	Y
80	4000K	45W	5,100	113	VA6-FIX-045-8-40-VL-AN-B90-PT1-000-T000-WIRE	03250	Y
80	5000K	30W	3,550	118	VA6-FIX-030-8-50-VL-AN-B90-PT1-000-T000-WIRE	03551	Y
80	5000K	45W	5,100	113	VA6-FIX-045-8-50-VL-AN-B90-PT1-000-T000-WIRE	03251	Y

Ordering Table - Telescoping Pole Plate

Plate Ø	Finish	Part Number	Product Code	Quick Ship
6.25"	Aluminum	ASM-TPP-63-0000-ALU	03544	N
6.50"	Aluminum	ASM-TPP-65-0000-ALU	03545	N
6.95"	Aluminum	ASM-TPP-70-0000-ALU	03546	N
7.92"	Aluminum	ASM-TPP-80-0000-ALU	03547	N