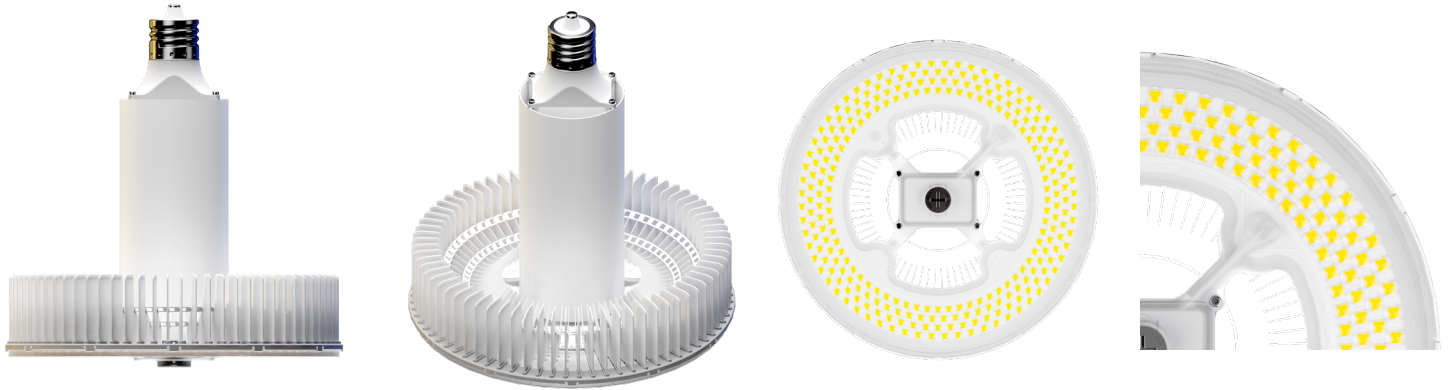


46,000 Lumens : 192L/W, 100-480 VAC, DLC USA

Date	Project	Part #
------	---------	--------



Applications

- 1000W HID Replacement

Features

- 46,000 Lumens, 192 L/W @ 80 CRI
- Universal Voltage 100-480VAC
- Low Glare, UGR<20
- 80 CRI Standard
- High temperature operation up to 65°C
- Five Year or 50,000 Hour warranty²
- See Website for installation Guide and IES File

Certifications [Pending]

- UL/ULC, CE, BSMI, DLC Standard⁵
- IP52 / UL damp listed
- Integrated/embedded networked lighting control
Luminaire-level Lighting Control (LLLC)



IP52

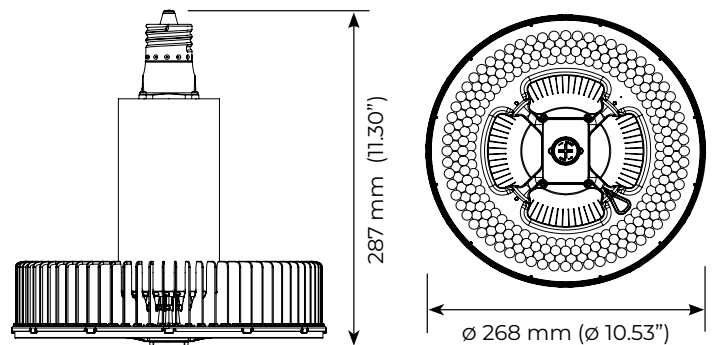


Control Options

- Wireless:
 - Casambi
- Non-Wiress:
 - Occupancy & Daylight
- Dims to 10% then to off

Mechanical

- Mogul Base
- Vertical Orientation
- 3.86 lb / 1.75 kg
- 30 cm Safety Harness included



1. Unless otherwise specified, all values are typical at 25°C, 277VAC, CCT ±300K with ±10% tolerance
2. [See limited warranty for details](#)
3. Specifications subject to change without notice

4. Not intended for use in environments containing airborne corrosive agents such as chemicals, solvents, or cutting fluids
5. DLC Premium Listed SSL - Not all product variations listed on this page are DLC qualified.

46,000 Lumens : 192L/W, 100-480 VAC, DLC USA

Date Project Part #

Photometry

- Integrated Patented Optic provides low-glare
- UGR<20

Lumens (No Accessories)

CRI	Power	Lumens @ CCT				
		2700K	3000K	3500K	4000K	5000K
80	240W	-	-	-	46,000	46,000

Electrical (VW Drivers)

- VW: 100-480 VAC, 50-60Hz
- <1% Flicker
- PF > 0.9, THD<20%
- Surge: 6 kV (L-N)

	Amps @ Line Voltage (VAC)					
	100V	160V	240V	320V	400V	480V
240W	2.40A	1.50A	1.00A	0.75A	0.60A	0.50A

Part # Key

- Not all combinations are valid or readily available - See ordering table for standard models
- Call for availability of custom features - MOQ may apply

Series		Lamp Base		Power		CRI		CCT		Driver		Finish		Optics		Accessory (Field Install)		Control Module (Field Install)		Other		
V4M	V4M Lamp	X39	EX39	240	240W	8	80 CRI	40	4000K	VW	100-480V	AN	Anodized	B90	90° Beam	000 K80	None (Base Model) K80 Diffuser	000 300 3CS 3OC	None (Base Model) 3 Pin Connector 3 Pin Casambi 3 Pin Occupancy and Daylight		FL	IP52

Date	Project	Part #
------	---------	--------

Applicable Regions

- North America
- [Certification pending]



IP52

Summary

- Certified to UL and DLC standard [Pending]
- IP52 / UL damp listed [Pending]
- Optical accessories are shipped separately and installed to the base lamp model by the user
 - Can be installed at the factory - Inquire for availability
- Non-quick ship items may be subject to longer lead times and MOQ
- Additional CCT / CRI / Power combinations may be available as a custom order - Inquire for availability

Ordering Table

- Additional combinations may be available - Inquire for availability

Power	CRI	CCT	Lumen	L/W	Part Number	Product Code
240	80	4000K	46,000	192	V4M-X39-240-8-40-VW-AN-B90-000-000-FL	-
240	80	5000K	46,000	192	V4M-X39-240-8-50-VW-AN-B90-000-000-FL	-