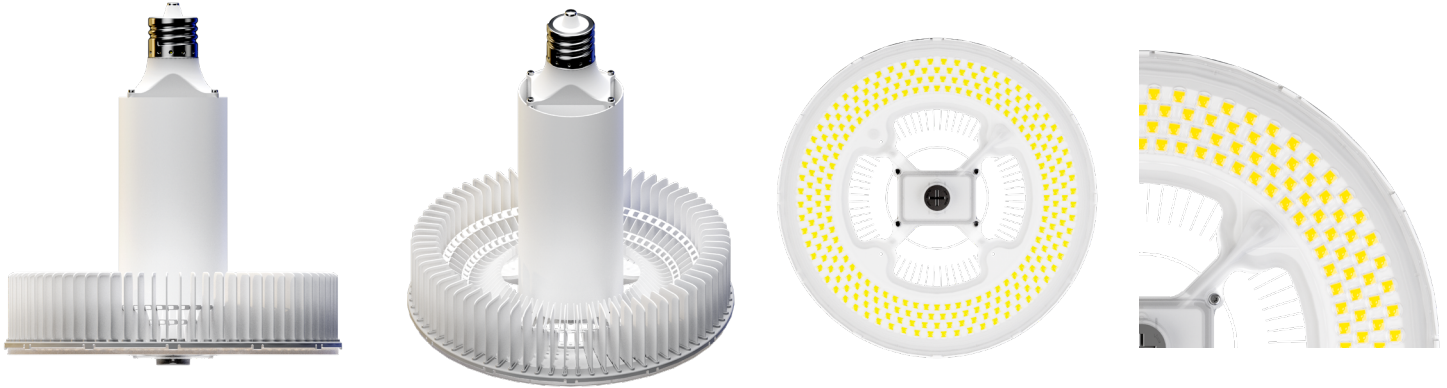


46,000 Lumens : 192L/W, 100-480 VAC, Ballast Compatible and Bypass

| Date | Project | Part # |
|------|---------|--------|
|------|---------|--------|



Applications

- 1000W HID Replacement

Features

- 46,000 Lumens, 192 L/W @ 80 CRI
- Compatible for all HID Ballast types 250-1000W
- Universal Voltage 100-480VAC
- Low Glare, UGR<20
- 80 CRI Standard
- High-temperature operation up to 65°C
- Five Year warranty²
- See Website for installation Guide and IES File

Certifications [Pending]

- UL/ULC, CE, BSMI
- IP52 / UL damp listed
- See regional section for applicable certification



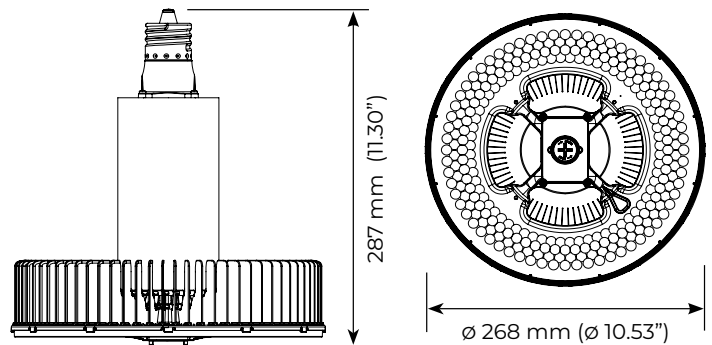
IP52

Control Options

- Controls not compatible with ballast operation

Mechanical

- Mogul Base
- Vertical Orientation
- 3.86 lb / 1.75 kg
- 30 cm Safety Harness included



1. Unless otherwise specified, all values are typical at 25°C, 277VAC, CCT ±300K with ±10% tolerance
2. [See limited warranty for details](#)
3. Specifications subject to change without notice
4. Not intended for use in environments containing airborne corrosive agents such as chemicals, solvents, or cutting fluids

46,000 Lumens : 192L/W, 100-480 VAC, Ballast Compatible and Bypass

Date Project Part #

Photometry

- Integrated Patented Optic provides low-glare
- UGR<20

Lumens (No Accessories)

| CRI | Power | Lumens @ CCT | | | | |
|-----|-------|--------------|-------|-------|--------|--------|
| | | 2700K | 3000K | 3500K | 4000K | 5000K |
| 80 | 240W | - | - | - | 46,000 | 46,000 |

Electrical (HW & VW Drivers)

- HW: Hybrid: Ballast Compatible & 100-480 VAC
- <1% Flicker
- PF > 0.9, THD<20%
- Surge: 6 kV (L-N)

| | Amps @ Line Voltage (VAC) | | | | | |
|------|---------------------------|-------|-------|-------|-------|-------|
| | 100V | 160V | 240V | 320V | 400V | 480V |
| 240W | 2.40A | 1.50A | 1.00A | 0.75A | 0.60A | 0.50A |

HID Ballast Compatibility (HW Driver)

The Hybrid series is compatible with HID magnetic ballast between 175-1000W. Such ballast types include probe start, pulse start, CWA, or reactive. The table below shows compatible ballast that have been tested. Input to ballast may be up to 480V. Optical distribution and lumen output are constant regardless of Ballast type or wattage. Ballast operation is not compatible with controls.

| Type | HID Ballast Compatibility | | | | | | |
|--------------|---------------------------|--------------------------------|---------------|------|------------------------|----------------|--------|
| | 175W | 250W | 320W | 350W | 400W | 600W | 1000W |
| Metal Halide | M137/ M152 | MH250/ M58 M138/ M153 | M132/ M154 | M131 | M135/ M155 MH400 | - | - |
| HPS | - | S50 | - | - | S51, NG400 | S106, NG600 | NG1000 |
| MV | - | H37 | - | - | - | - | - |

Part # Key

- Not all combinations are valid or readily available - See ordering table for standard models
- Call for availability of custom features - MOQ may apply

| Series | | Lamp Base | | Power | | CRI | | CCT | | Driver | | Finish | | Optics | | Accessory (Field Install) | | Control Module (Field Install) | | Other | | |
|--------|----------|-----------|----------|-------|------|--------|------------------|----------|----------------|--------|--------|--------|----------|--------|----------|---------------------------|--------------------------------------|--------------------------------|-------------------|-------|----|------|
| V4M | V4M Lamp | X39 E40 | EX39 E40 | 240 | 240W | 8 9 | 80 CRI 90 CRI | 40 50 | 4000K 5000K | HW | Hybrid | AN | Anodized | B90 | 90° Beam | 000 K80 | None (Base Model) K80 Diffuser | 000 | None (Base Model) | | FL | IP52 |

| Date | Project | Part # |
|------|---------|--------|
|------|---------|--------|

Applicable Regions

- North America
- [Certification pending]



IP52

Summary

- Hybrid: Ballast Compatible & Line Voltage 100-480VAC
- Certified to UL standard [pending]
- IP52 / UL damp listed [pending]
- Optical accessories are shipped separately and installed to the base lamp model by the user
 - Can be installed at the factory - Inquire for availability
- Non-quick ship items may be subject to longer lead times and MOQ
- Additional CCT / CRI / Power combinations may be available as a custom order - Inquire for availability

Ordering Table

- Additional combinations may be available - Inquire for availability

| Power | CRI | CCT | Lumen | L/W | Part Number | Part Code |
|-------|-----|-------|--------|-----|---------------------------------------|-----------|
| 240 | 80 | 4000K | 46,000 | 192 | V4M-X39-240-8-40-HW-AN-B90-000-000-FL | - |
| 240 | 80 | 5000K | 46,000 | 192 | V4M-X39-240-8-50-HW-AN-B90-000-000-FL | - |