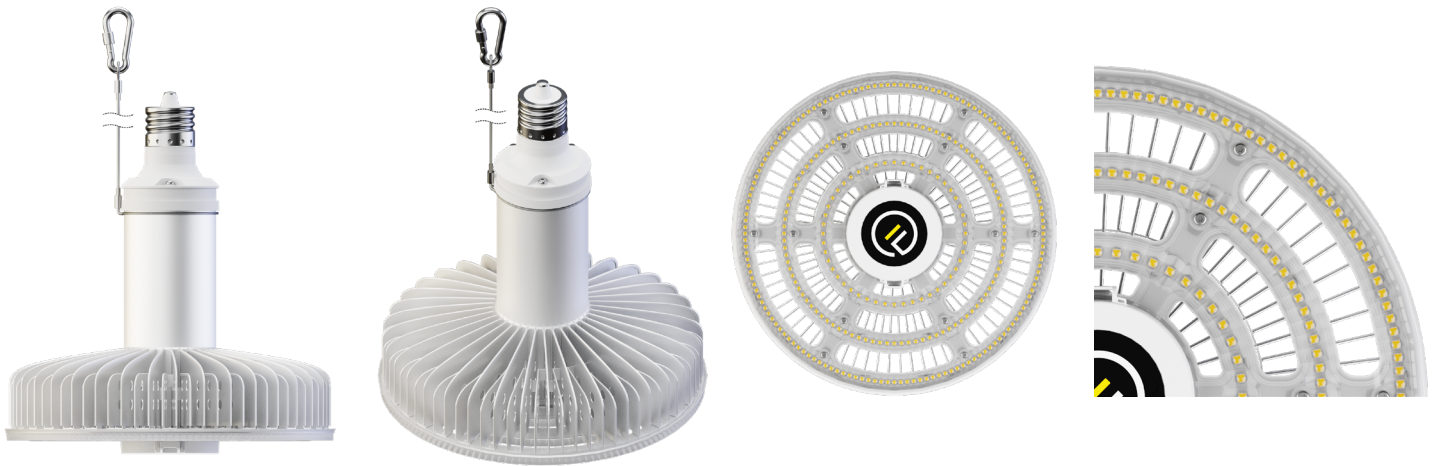


Date Project Part #



Features

- Up to 28,905 Lumens, 175 L/W @ 80 CRI
- 100-277 VAC
- Low Glare, UGR<16
- 80 CRI Standard
- Wireless and non-wireless control options
- Over-temperature protection
- Five Year or 50,000 Hour warranty²
- See Website for installation Guide and IES File

Certifications

- UL/ULC, DLC Standard⁵
- IP52 / UL damp listed standard
- Integrated/embedded networked lighting control Luminaire-level Lighting Control (LLLC)



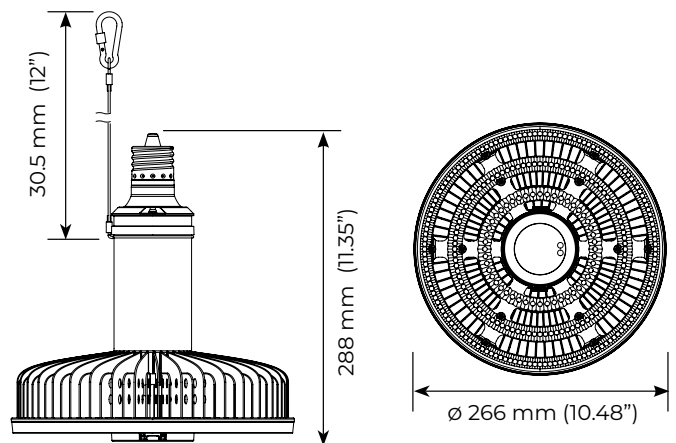
IP52

Control Options

- Wireless:
 - Synpase, Casambi, Avi-On
- Non-Wireless:
 - Occupancy & Daylight, Manual Power Set
- Dims to 10% then to off

Mechanical

- Mogul Base
- Vertical Orientation
- 3.86 lb / 1.75 kg
- 30 cm Safety Harness included



1. Unless otherwise specified, all values are typical at 25°C, 240VAC, CCT ±300K with ±10% tolerance
 2. [See limited warranty for details](#)
 3. Specifications subject to change without notice

4. Not intended for use in environments containing airborne corrosive agents such as chemicals, solvents, or cutting fluids
 5. DLC Premium Listed SSL - Not all product variations listed on this page are DLC qualified.

Date

Project

Part #

Photometry

- Integrated Patented Optic provides low glare
- UGR<16
- Diffuser and uplight accessories sold separately

Lumens (No Accessories)

| CRI | Series | Power | Lumens @ CCT | | | | |
|-----|--------|-------|--------------|-------|-------|--------|--------|
| | | | 2700K | 3000K | 3500K | 4000K | 5000K |
| 80 | V3M | 165W | - | - | - | 28,905 | 28,905 |
| 80 | V3M | 155W | - | - | - | 27,230 | 27,230 |
| 80 | V3M | 145W | - | - | - | 25,769 | 25,769 |
| 80 | V3M | 135W | - | - | - | 24,285 | 24,285 |

Electrical (VH & VL Drivers)

- VL: 100-277 VAC, 50-60Hz
- <1% Flicker
- PF > 0.9, THD<20%
- Surge: 6 kV (L-N)

| | Amps @ Line Voltage (VAC) | | | | | |
|-------------|---------------------------|-------|-------|-------|-------|-------|
| | 100V | 110V | 120V | 220V | 240V | 277V |
| 165W | 1.65A | 1.50A | 1.38A | 0.75A | 0.69A | 0.60A |
| 155W | 1.55A | 1.41A | 1.29A | 0.70A | 0.65A | 0.56A |
| 145W | 1.45A | 1.32A | 1.21A | 0.66A | 0.60A | 0.52A |
| 135W | 1.35A | 1.23A | 1.13A | 0.61A | 0.56A | 0.49A |

Date Project Part #

Applicable Regions

- USA, Canada



IP52

Summary

- Line Voltage 100-277VAC
- Certified to UL and DLC Standard
- IP52 and UL Listed for damp locations
- Control modules and optical accessories are shipped separately and installed to the base lamp model by the user
 - Can be installed at the factory - Inquire for availability
- Non-quick ship items may be subject to longer lead times and MOQ
- Additional CCT / CRI / Power combinations may be available as a custom order - Inquire for availability

Part # Key

- Not all combinations are valid or readily available - See ordering table for standard models
- Call for availability of custom features - MOQ may apply

| Series | | Lamp Base | | Power | | CRI | | CCT | | Driver | | Finish | | Optics | | Accessory (Field Install) | | Control Module (Field Install) | | Other | |
|--------|---------|-----------|------|-------|------|-----|--------|-----|-------|--------|----------|--------|----------|--------|----------|---------------------------|-------------------|--------------------------------|-------------------|-------|------|
| V3M | 288LEDs | X39 | EX39 | 165 | 165W | 8 | 80 CRI | 40 | 4000K | VL | 100-277V | AN | Anodized | B90 | 90° Beam | 000 | None (Base Model) | 000 | None (Base Model) | FL | IP52 |
| | | | | 155 | 155W | | | 50 | 5000K | | | | | | | | OC1 | Occupancy & Daylight | | | |
| | | | | 145 | 145W | | | | | | | | | | | | BLE | Bluetooth (Avi-On) | | | |
| | | | | 135 | 135W | | | | | | | | | | | | CSM | Casambi | | | |
| | | | | | | | | | | | | | | | | | SYN | Synapse | | | |
| | | | | | | | | | | | | | | | | | PRI | Manual Set Dim | | | |

Ordering Table

- Additional combinations may be available - Inquire for availability

| Power | CRI | CCT | Series | Lumen | L/W | Part Number |
|-------|-----|-------|--------|--------|-----|---------------------------------------|
| 165W | 80 | 4000K | V3M | 28,905 | 175 | V3M-X39-165-8-40-VL-AN-B90-000-000-FL |
| 165W | 80 | 5000K | V3M | 28,905 | 175 | V3M-X39-165-8-50-VL-AN-B90-000-000-FL |
| 155W | 80 | 4000K | V3M | 27,230 | 176 | V3M-X39-155-8-40-VL-AN-B90-000-000-FL |
| 155W | 80 | 5000K | V3M | 27,230 | 176 | V3M-X39-155-8-50-VL-AN-B90-000-000-FL |
| 145W | 80 | 4000K | V3M | 25,769 | 178 | V3M-X39-145-8-40-VL-AN-B90-000-000-FL |
| 145W | 80 | 5000K | V3M | 25,769 | 178 | V3M-X39-145-8-50-VL-AN-B90-000-000-FL |