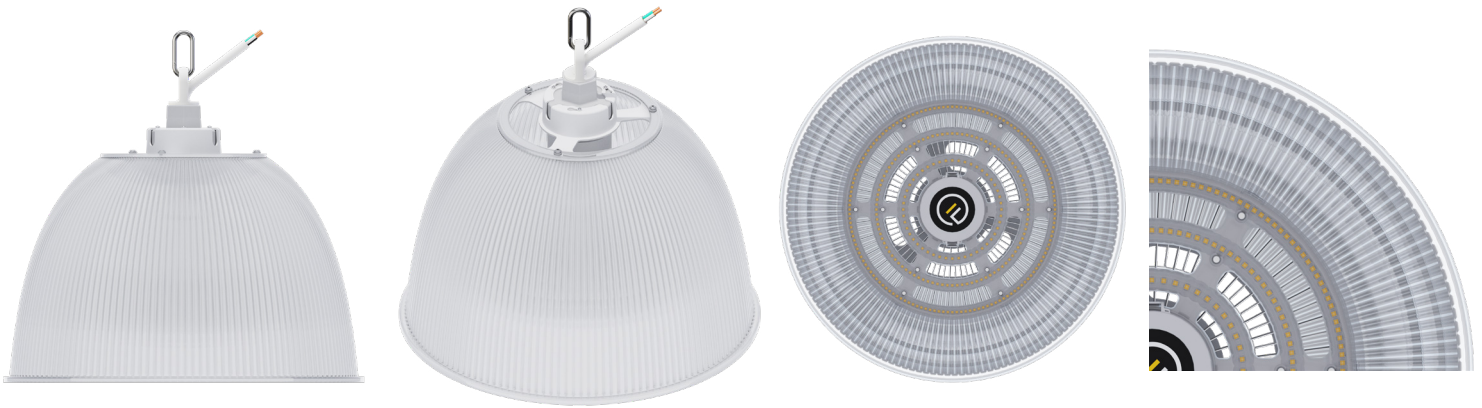


Date

Project

Part #



Features

- Up to 28,296 Lumens, 175 L/W @ 80 CRI
- Low Glare, UGR < 20
- 80 CRI Standard, High CRI optional
- Wireless control options or 0-10V dimming wires
- Over-temperature protection
- Five Year or 50,000 Hour warranty²
- See Website for Installation Guide and IES File

Control Options

- Wireless Options:
 - Synpase, Casambi, Avi-On
- Non Wireless Options:
 - Occupancy & Daylight, Manual Power Set
 - 0-10V dimming wires
- Dims to 10% then to off

Mechanical

- Vertical Orientation
- 7.14 lb / 3.24 kg
- 2m Safety Harness included

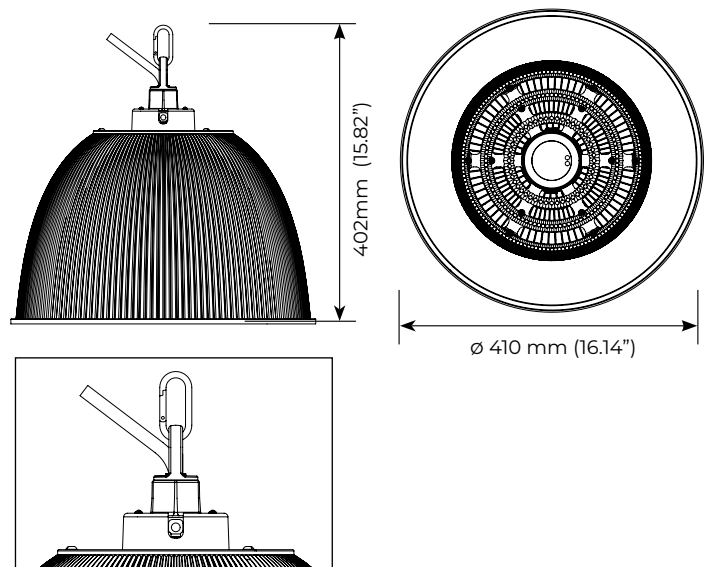
Certifications

- UL/ULC, RoHS/REACH
- IP52 / UL damp listed standard
- ** DLC Premium Listed SSL - Not all product variations listed on this page are DLC qualified. Visit <https://qpl.designlights.org> to confirm qualification



RoHS

IP52



1. Unless otherwise specified, all values are typical at 25°C, 240VAC, CCT ±300K with ±10% tolerance
2. [See limited warranty for details](#)
3. Specifications subject to change without notice

4. Not intended for use in environments containing airborne corrosive agents such as chemicals, solvents, or cutting fluids

Date Project Part #

Photometry

- Integrated Patented Optic provides:
 - Low glare with 50° Glare Cutoff, UGR<20

Lumens for Fixture + Reflector (+ Accessory)

- V10 Uplight 10%, UGR Diffuser, K80 Diffuser options

CRI	Power	Accessory	Lumens @ CCT				
			2700K	3000K	3500K	4000K	5000K
80	165W	V10	-	-	-	28,297	28,297
80	155W	V10	-	-	-	26,694	26,694
80	145W	V10	-	-	-	25,680	25,680
80	165W	UGR	-	-	-	26,636	26,636
80	155W	UGR	-	-	-	25,038	25,038
80	145W	UGR	-	-	-	23,502	23,502
80	165W	K80	-	-	-	26,038	26,038
80	155W	K80	-	-	-	24,549	24,549
80	145W	K80	-	-	-	23,035	23,035

Electrical

- VL: 100-277 VAC, 50-60Hz
- <1% Flicker
- PF > 0.9, THD<20%
- Surge: 6 kV (L-N), 10kV (L-G, N-G)

	Amps @ Line Voltage (VAC)					
	100V	110V	120V	220V	240V	277V
165W	1.65A	1.50A	1.38A	0.75A	0.69A	0.60A
155W	1.55A	1.41A	1.29A	0.70A	0.65A	0.56A
145W	1.45A	1.32A	1.21A	0.66A	0.60A	0.52A

Mounting Options

- Hook (Hxxx), Stem (Sxxx), Surface Mount (Jxxx), Aircraft Cable (Axxx), Pendant (Pxxx), Carabiner (Cxxx) mounting options
- 3/4" NPT pipe or flexible armor conduit option available

UL USA and Canada: 100-277VAC

Date _____ Project _____ Part # _____

Applicable Regions

- USA, Canada



RoHS IP52

Summary

- Line Voltage 100-277VAC
- Certified to UL/ULC standard and DLC Premium
- IP52 / UL damp listed standard
- UGR<20

Part # Key

- Not all combinations are valid or readily available - See ordering table for standard models
- Call for availability of custom features - MOQ may apply
- Example Part Number: V3M-FIX-165-8-40-VL-AN-B90-V10-CSM-H020-WH1-WIR3-FL+PF16-CL1PC1-000

Series		Lamp Base	Power		CRI	CCT		Driver	Finish	Optics		Lamp Acc. (Field Install)		Control Module (Field Install)				
V3M	288LEDs	FIX	165 155 145	165W 155W 145W	8	80 CRI	40 50	4000K 5000K	VL	100-277V	AN	Anodized	B90	90° Beam	000 V10 UGR K80	None (Base Model) Uplight UGR Diffuser K80 Diffuser	000 OC1 BLE CSM SYN PR1 010	None (Base Model) Occupancy & Daylight Bluetooth (Avi-On) Casambi Synapse Manual Set Dim 0-10V cable

Mounting/Plate		Mounting Color		Termination		Other	Reflector	Reflector Color (Exterior/Interior)		Reflector Acc. (Field Install)		
C020	Carabiner 2M	WH1	White	WIR1 WIR2 L715 RLC3 RLCD	3 Wire 3 Wire + 2 Dim Twist Lock Reloc 3 Wire Reloc 3 Wire + 2 Dim	FL IP52	PF16	Prismatic 16"	CL1PC1	Clear PC	000	None