

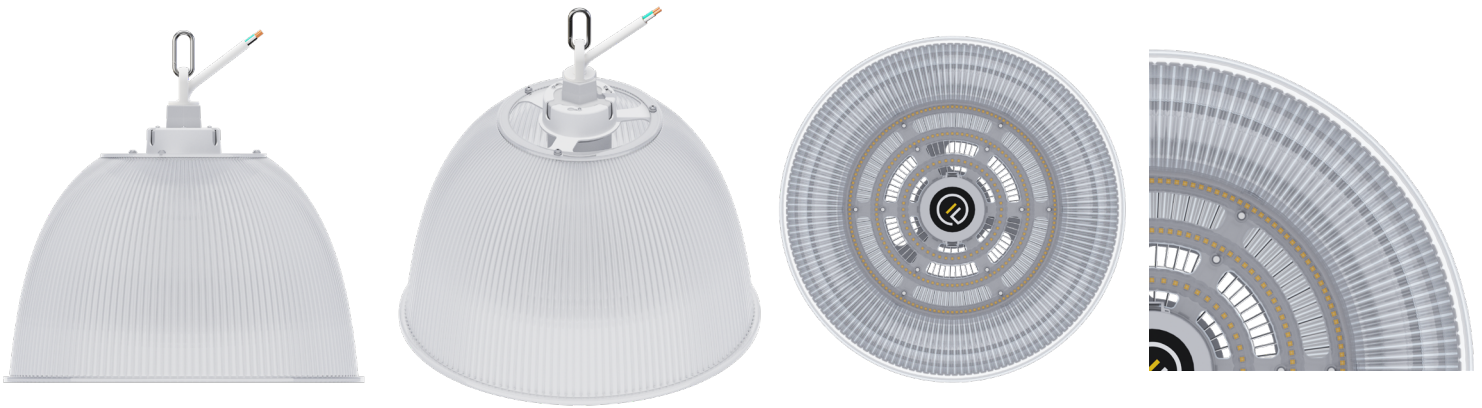
FILAMENTO V3M Fixture + Accessory + Reflector

Up to 28,297 Lumens, 172 L/W, 100-277 VAC, DLC USA

Date

Project

Part #



Features

- Up to 28,297 Lumens, 172 L/W @ 80 CRI
- Low Glare, UGR < 20
- 80 CRI Standard, High CRI optional
- Wireless and non-wireless control options
- Over-temperature protection
- Five Year or 50,000 Hour warranty²
- See Website for Installation Guide and IES File

Certifications

- UL/ULC, DLC Premium⁵
- IP52 / UL damp listed standard
- Integrated/embedded networked lighting control Luminaire-level Lighting Control (LLLC)



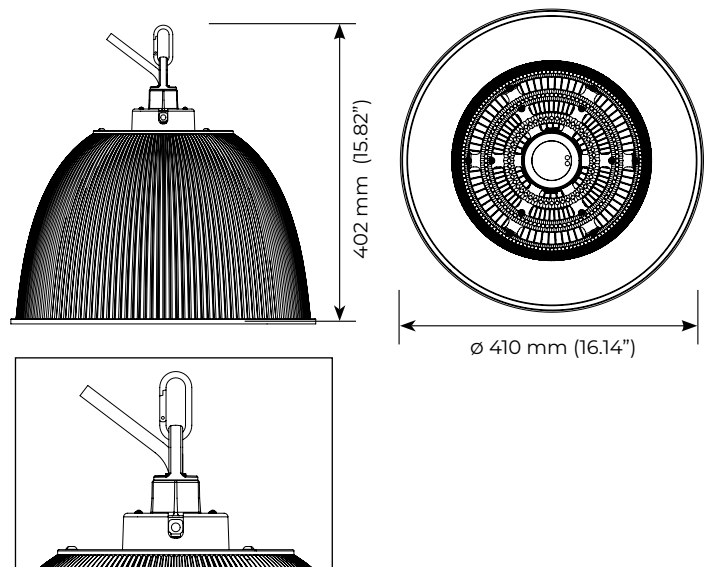
IP52

Control Options

- Wireless Options:
 - Synpase, Casambi, Avi-On
- Non-Wireless Options:
 - Occupancy & Daylight, Manual Power Set
- Dims to 10% then to off

Mechanical

- Vertical Orientation
- 7.14 lb / 3.24 kg
- 75 cm Safety Harness included



1. Unless otherwise specified, all values are typical at 25°C, 240VAC, CCT ±300K with ±10% tolerance
2. [See limited warranty for details](#)
3. Specifications subject to change without notice

4. Not intended for use in environments containing airborne corrosive agents such as chemicals, solvents, or cutting fluids
5. DLC Premium Listed SSL - Not all product variations listed on this page are DLC qualified.

FILAMENTO V3M Fixture + Accessory + Reflector

Up to 28,297 Lumens, 172 L/W, 100-277 VAC, DLC USA

Date

Project

Part #

Photometry

- Integrated Patented Optic provides:
 - Low glare with 50° Glare Cutoff, UGR<20

Lumens for Fixture + Accessory +Reflector

- V10 Uplight 10%, UGR Diffuser, K80 Diffuser options

CRI	Power	Accessory	Lumens @ CCT				
			2700K	3000K	3500K	4000K	5000K
80	165W	V10	-	-	-	28,297	28,297
80	155W	V10	-	-	-	26,694	26,694
80	145W	V10	-	-	-	25,680	25,680
80	135W	V10	-	-	-	23,845	23,845
80	165W	UGR	-	-	-	26,636	26,636
80	155W	UGR	-	-	-	25,038	25,038
80	145W	UGR	-	-	-	23,502	23,502
80	135W	UGR	-	-	-	22,236	22,236
80	165W	K80	-	-	-	26,038	26,038
80	155W	K80	-	-	-	24,549	24,549
80	145W	K80	-	-	-	23,035	23,035
80	135W	K80	-	-	-	21,761	21,761

Electrical

- VL: 100-277 VAC, 50-60Hz
- <1% Flicker
- PF > 0.9, THD<20%
- Surge: 6 kV (L-N), 10kV (L-G, N-G)

	Amps @ Line Voltage (VAC)					
	100V	110V	120V	220V	240V	277V
165W	1.65A	1.50A	1.38A	0.75A	0.69A	0.60A
155W	1.55A	1.41A	1.29A	0.70A	0.65A	0.56A
145W	1.45A	1.32A	1.21A	0.66A	0.60A	0.52A
135W	1.35A	1.23A	1.13A	0.61A	0.56A	0.49A

Date _____ Project _____ Part # _____

Applicable Regions

- USA, Canada



IP52

Summary

- Line Voltage 100-277VAC
- Certified to UL/ULC standard and DLC Premium
- IP52 / UL damp listed standard
- UGR<20

Part # Key

- Not all combinations are valid or readily available - See ordering table for standard models
- Call for availability of custom features - MOQ may apply
- Example Part Number: V3M-FIX-165-8-40-VL-AN-B90-000-000-C020-WH1-WIR1-FL+PF16-CL1PC1-000

Series	Lamp Base	Power	CRI	CCT	Driver	Finish	Optics	Lamp Acc. (Field Install)	Control Module (Field Install)									
V3M	288LEDs	FIX	165 155 145 135	165W 155W 145W 135W	8	80 CRI	40 50	4000K 5000K	VL	100-277V	AN	Anodized	B90	90° Beam	000 V10 UGR K80	None (Base Model) V-Cut Uplight UGR Diffuser K80 Diffuser	000 OC1 BLE CSM SYN PR1	None (Base Model) Occupancy & Daylight Bluetooth (Avi-On) Casambi Synapse Manual Set Dim

Mounting/Plate	Mounting Color	Termination	Other	Reflector	Reflector Color (Exterior/Interior)	Reflector Acc. (Field Install)								
C020	Carabiner 2M	WH1	White	WIR1 WIR2 L715 RLC3 RLCD	3 Wire 3 Wire + 2 Dim Twist Lock Reloc 3 Wire Reloc 3 Wire + 2 Dim	FL	IP52	+	PF16	Prismatic 16"	CL1PC1	Clear PC	000	None