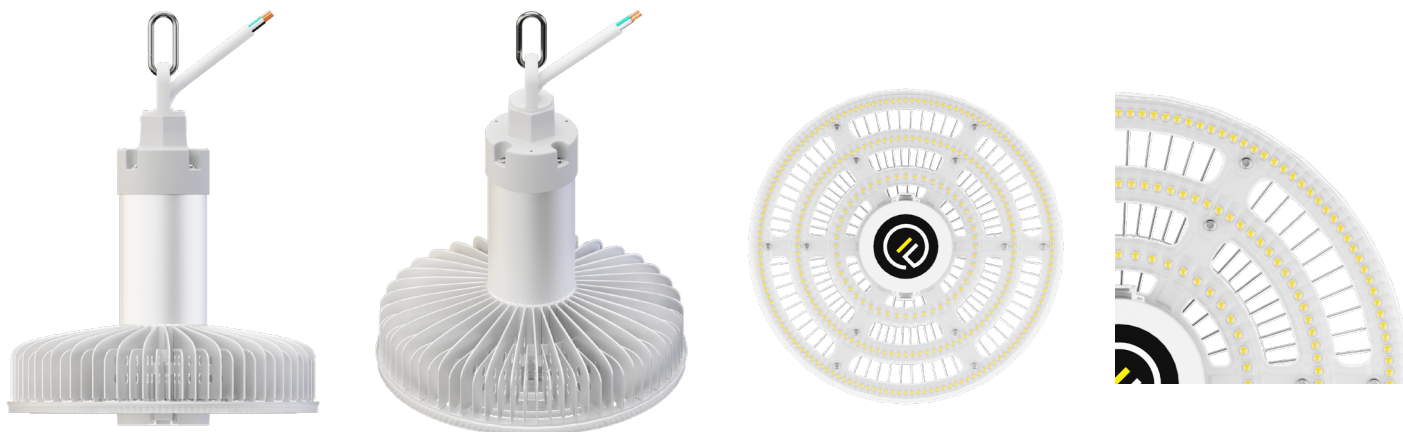


| Date | Project | Part # |
|------|---------|--------|
|------|---------|--------|



Features

- Up to 28,905 Lumens, 175 L/W @ 80 CRI
- Low Glare, UGR < 16
- 80 CRI Standard, High CRI optional
- Wireless and non-wireless control options
- Over-temperature protection
- Five Year or 50,000 Hour warranty²
- See Website for Installation Guide and IES File

Certifications

- UL/ULC, DLC Premium⁵
- IP52 / UL damp listed standard
- Integrated/embedded networked lighting control Luminaire-level Lighting Control (LLLC)



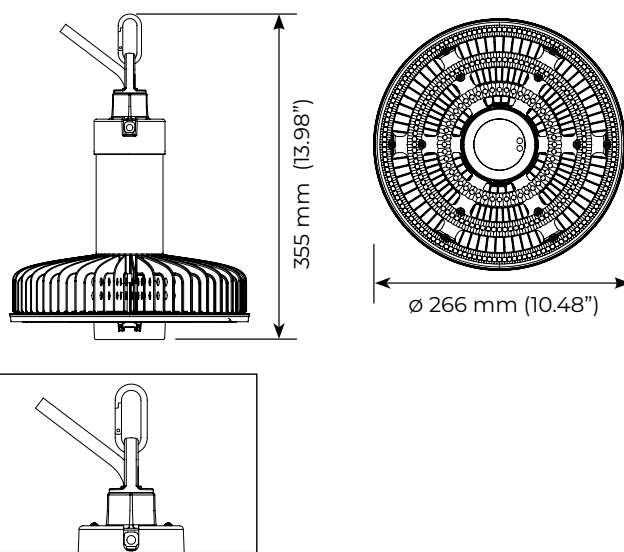
IP52

Control Options

- Wireless Options:
 - Synpase, Casambi, Avi-On
- Non-Wireless Options:
 - Occupancy & Daylight, Manual Power Set
- Dims to 10% then to off

Mechanical

- Vertical Orientation
- 4.76 lb / 2.16 kg
- 75 cm Safety Harness included



1. Unless otherwise specified, all values are typical at 25°C, 240VAC, CCT ±300K with ±10% tolerance
 2. [See limited warranty for details](#)
 3. Specifications subject to change without notice

4. Not intended for use in environments containing airborne corrosive agents such as chemicals, solvents, or cutting fluids
 5. DLC Premium Listed SSL - Not all product variations listed on this page are DLC qualified.

Date

Project

Part #

Photometry

- Integrated Patented Optic provides low glare
UGR < 16
- External reflector not required
- Diffusers and uplight accessories sold separately

Lumens (+Accessories)

| CRI | Power | Accessory | Lumens @ CCT | | | | |
|-----|-------|-----------|--------------|-------|-------|--------|--------|
| | | | 2700K | 3000K | 3500K | 4000K | 5000K |
| 80 | 165W | No | - | - | - | 28,905 | 28,905 |
| 80 | 155W | No | - | - | - | 27,230 | 27,230 |
| 80 | 145W | No | - | - | - | 25,769 | 25,769 |
| 80 | 135W | No | - | - | - | 24,285 | 24,285 |
| 80 | 165W | V10 | - | - | - | 28,297 | 28,297 |
| 80 | 155W | V10 | - | - | - | 26,694 | 26,694 |
| 80 | 145W | V10 | - | - | - | 25,680 | 25,680 |
| 80 | 135W | V10 | - | - | - | 23,845 | 23,845 |

Electrical

- VL: 100-277 VAC, 50-60Hz
- <1% Flicker
- PF > 0.9, THD<20%
- Surge: 6 kV (L-N), 10kV (L-G, N-G)

| | Amps @ Line Voltage (VAC) | | | | | |
|-------------|---------------------------|-------|-------|-------|-------|-------|
| | 100V | 110V | 120V | 220V | 240V | 277V |
| 165W | 1.65A | 1.50A | 1.38A | 0.75A | 0.69A | 0.60A |
| 155W | 1.55A | 1.41A | 1.29A | 0.70A | 0.65A | 0.56A |
| 145W | 1.45A | 1.32A | 1.21A | 0.66A | 0.60A | 0.52A |
| 135W | 1.35A | 1.23A | 1.13A | 0.61A | 0.56A | 0.49A |

Date _____ Project _____ Part # _____

Applicable Regions

- USA, Canada



Summary

- Line Voltage 100-277VAC
- Certified to UL/ULC standard and DLC Premium
- IP52 / UL damp listed standard
- UGR < 16

Part # Key

- Not all combinations are valid or readily available - See ordering table for standard models
- Call for availability of custom features - MOQ may apply
- Example Part Number: V3M-FIX-165-8-40-VL-AN-B90-000-000-C020-WH1-WIR1-FL

| Series | Lamp Base | Power | CRI | CCT | Driver | Finish | Optics | Lamp Acc. (Field Install) | Control Module (Field Install) | | | | | | | | | |
|--------|-----------|-------|--------------------------|------------------------------|--------|--------|----------|---------------------------|--------------------------------|----------|----|----------|-----|----------|------------|---------------------------------|--|---|
| V3M | 288LEDs | FIX | 165 155 145 135 | 165W 155W 145W 135W | 8 | 80 CRI | 40 50 | 4000K 5000K | VL | 100-277V | AN | Anodized | B90 | 90° Beam | 000 V10 | None (Base Model) Uplight | 000 OC1 BLE CSM SYN PR1 | None (Base Model) Occupancy & Daylight Bluetooth (Avi-On) Casambi Synapse Manual Set Dim |

| Mounting/Plate | Mounting Color | Termination | Other |
|----------------|----------------|--------------|------------------------------|
| C020 | Carabiner 2M | WH1 White | WIR1 3 Wire FL IP52 |