

Date	Project	Part #
------	---------	--------



## Features

- Up to 25,700 Lumens, 156 L/W
- Certified for Magnetic HID Ballast & 100-277 VAC
- Integrated Patented Optic provides:
  - Low Glare UGR<18
  - 1.3x cd/lumen higher efficiency over no optic
- 80 CRI Standard, High CRI optional
- Wireless control options
- Temperature protection with full output:
  - $T_{Ambient} = 55^{\circ}C/150F$  for 105W
  - $= 45^{\circ}C/115F$  for 150W
  - $= 40^{\circ}C/115F$  for 165W
- Enclosed Fixture rated for 105W Five Year or 50,000 Hour warranty<sup>2</sup>
- See Website for Installation Guide and IES File

## World Wide Certifications

- UL/ULC, DLC, CE/CB, PSE, KC, BSMI, NOM
- See regional section for applicable certification
- IP52 / UL damp listed standard
- IP65 / UL wet optional<sup>6</sup>



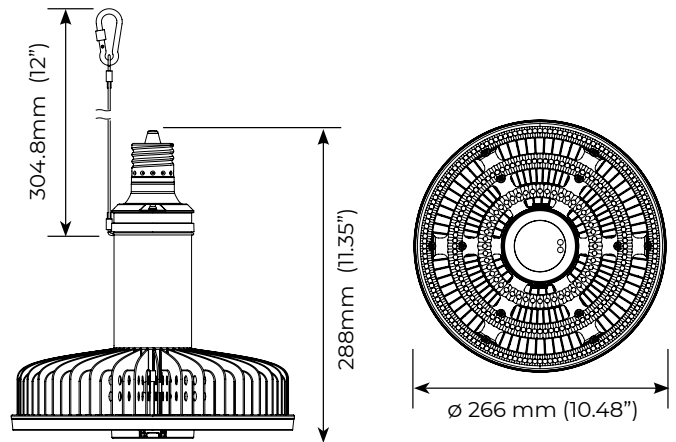
**IP52 IP65**

## Control Options

- Wireless Options:
  - Synpase, Casambi, Avi-On
- Non Wireless Options:
  - Occupancy & Daylight, Manual Power Set
- Dims to 10% then to off
- Controls not compatible with ballast operation

## Mechanical

- Mogul Base
- Vertical Orientation
- 3.86lb / 1.75kg
- Requires use of provided Safety Harness



1. Unless otherwise specified, all values are typical at 25°C, 240VAC, CCT +/-300K
2. [See limited warranty for details](#)
3. Specifications subject to change without notice
4. Not intended for use in environments containing airborne corrosive agents such as chemicals, solvents, or cutting fluids
5. V2L has 144 LEDs, V2M has 288 LEDs
6. Need fixture side matching IP65 lamp socket & construction



## KC Korea: 100-277VAC Line Voltage

Date \_\_\_\_\_ Project \_\_\_\_\_ Part # \_\_\_\_\_

### Applicable Regions

- Korea



### Summary

- Line Voltage 100-277VAC
- Certified to KC standard
- IP52 and UL Listed for damp locations
- IP65 and UL Listed for wet locations - special order
- Selected models also UL listed for enclosed fixtures
- Control modules and optical accessories are shipped separately and installed to the base lamp model by the user
  - Can be installed at the factory - Inquire for availability
- Non-quick ship items may be subject to longer lead times and MOQ
- Additional CCT / CRI / Power combinations may be available as a custom order - Inquire for availability

### Part # Key

- Not all combinations are valid or readily available - See ordering table for standard models
- Call for availability of custom features - MOQ may apply

Series		Lamp Base		Power		CRI		CCT		Driver		Finish		Optics		Accessory (Field Install)		Control Module (Field Install)		Other	
V2M	288LEDs	X39	EX39	165	165W	8	80 CRI	40 50	4000K 5000K	VL	100-277V	AN	Anodized	B90	90° Beam	000	None (Base Model)	000	None (Base Model)	FL IP	IP52 IP65

### Ordering Table

- Additional combinations may be available - Inquire for availability

Power	CRI	CCT	Series	Lumen	L/W	Part Number
165W	80	4000K	V2M	25,670	158	V2M-X39-165-8-40-VL-AN-B90-000-000-FL
165W	80	5000K	V2M	25,670	158	V2M-X39-165-8-50-VL-AN-B90-000-000-FL