

| Date | Project | Part # |
|------|---------|--------|
|------|---------|--------|



Features

- Up to 25,700 Lumens, 156 L/W
- Certified for Magnetic HID Ballast & 100-277 VAC
- Integrated Patented Optic provides:
 - Low Glare UGR<18
 - 1.3x cd/lumen higher efficiency over no optic
- 80 CRI Standard, High CRI optional
- Wireless control options
- Temperature protection with full output:
 - $T_{Ambient} = 55^{\circ}C/150F$ for 105W
 - $= 45^{\circ}C/115F$ for 150W
 - $= 40^{\circ}C/115F$ for 165W
- Enclosed Fixture rated for 105W Five Year or 50,000 Hour warranty²
- See Website for Installation Guide and IES File

World Wide Certifications

- UL/ULC, DLC, CE/CB, PSE, KC, BSMI, NOM
- See regional section for applicable certification
- IP52 / UL damp listed standard
- IP65 / UL wet optional⁶



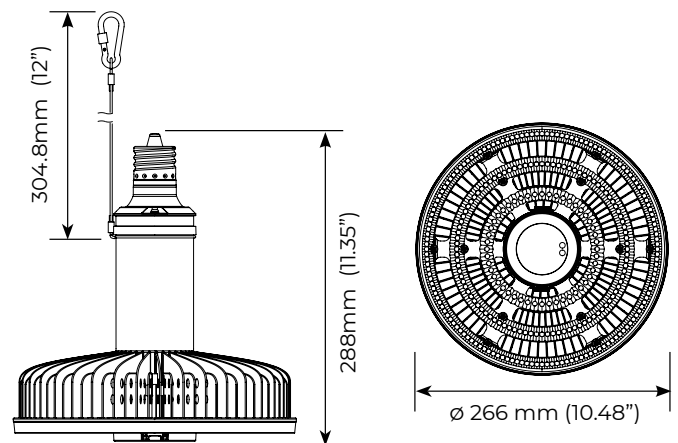
IP52 IP65

Control Options

- Wireless Options:
 - Synpase, Casambi, Avi-On
- Non Wireless Options:
 - Occupancy & Daylight, Manual Power Set
- Dims to 10% then to off
- Controls not compatible with ballast operation

Mechanical

- Mogul Base
- Vertical Orientation
- 3.86lb / 1.75kg
- Requires use of provided Safety Harness



1. Unless otherwise specified, all values are typical at 25°C, 240VAC, CCT +/-300K
2. [See limited warranty for details](#)
3. Specifications subject to change without notice
4. Not intended for use in environments containing airborne corrosive agents such as chemicals, solvents, or cutting fluids
5. V2L has 144 LEDs, V2M has 288 LEDs
6. Need fixture side matching IP65 lamp socket & construction

Date Project Part #

Photometry

- Integrated Patented Optic provides:
 - Low glare with 50° Glare Cutoff, UGR<18
 - 1.3x cd/lumen higher efficiency over no optic
 - External reflector not required
- Diffusers and upright accessories sold separately

| CRI | Series | Power | Lumens @ CCT | | | | |
|-----|--------|-------|--------------|-------|-------|-------|-------|
| | | | 2700K | 3000K | 3500K | 4000K | 5000K |
| 80 | V2L | 105W | 14560 | 15412 | 16095 | 16662 | 16662 |
| | | 150W | 19298 | 20427 | 21332 | 22084 | 22084 |
| | V2M | 165W | 22432 | 23744 | 24796 | 25670 | 25670 |
| 90 | V2L | 105W | 13114 | 13881 | 14495 | 15006 | 15006 |
| | | 150W | 17380 | 18397 | 19212 | 19889 | 19889 |
| | V2M | 165W | 18478 | 19560 | 20426 | 21146 | 21146 |

Electrical (VH & VL Drivers)

- VL: 100-277 VAC, 50-60Hz
- VH: Hybrid: Ballast Compatible & 100-277 VAC
- <1% Flicker
- PF > 0.9, THD<20%
- Surge: 6 kV (L-N)

| | Amps @ Line Voltage (VAC) | | | | | |
|------|---------------------------|-------|-------|-------|-------|-------|
| | 100V | 110V | 120V | 220V | 240V | 277V |
| 105W | 1.05A | 0.95A | 0.88A | 0.48A | 0.44A | 0.38A |
| 150W | 1.50A | 1.36A | 1.25A | 0.68A | 0.63A | 0.54A |
| 165W | 1.65A | 1.50A | 1.38A | 0.75A | 0.69A | 0.60A |

HID Ballast Compatibility (VH Driver)

The Hybrid series is compatible with HID magnetic ballast between 45-250W. Such ballast types include probe start, pulse start, CWA, or reactive. The table below shows compatible ballast that have been tested. Input to ballast may be up to 480V. Optical distribution and lumen output are constant regardless of Ballast type or wattage. Ballast operation is not compatible with controls.

| Type | HID Ballast Compatibility | | | | | | |
|--------------|------------------------------|------|-------------------------|---------------|------|-------------------------------|----------------|
| | 175W | 200W | 250W | 320W | 350W | 400W | 600W |
| Metal Halide | M57 M13/ M152 MH175 | - | M138/ M153, MH250 | M132/ M154 | M131 | M155/ M135 M59 MH400 | - |
| HPS | - | S66 | S50, NG250 | - | - | S51, NG400 | S106, NG600 |
| MV | H175 | - | - | - | - | - | - |

CE CB Europe: 100-277VAC and HID Ballast Compatible

| Date | Project | Part # |
|------|---------|--------|
|------|---------|--------|

Applicable Regions

- Europe



IP52 IP65



Summary

- Hybrid: Ballast Compatible & Line Voltage 100-277VAC
- Certified to CB CE standard
- IP52 and UL Listed for damp locations
- IP65 and UL Listed for wet locations - special order
- Selected models also UL listed for enclosed fixtures
- Control modules and optical accessories are shipped separately and installed to the base lamp model by the user
 - Can be installed at the factory - Inquire for availability
- Non-quick ship items may be subject to longer lead times and MOQ
- Additional CCT / CRI / Power combinations may be available as a custom order - Inquire for availability

Part # Key

- Not all combinations are valid or readily available - See ordering table for standard models
- Call for availability of custom features - MOQ may apply

| Series | | Lamp Base | | Power | | CRI | | CCT | | Driver | | Finish | | Optics | | Accessory (Field Install) | | Control Module (Field Install) | | Other | |
|--------|---------|-----------|-----|-------|------|-----|--------|-----|-------|--------|--------|--------|----------|--------|----------|---------------------------|-------------------|--------------------------------|----------------------|-------|------|
| V2L | 144LEDs | E40 | E40 | 105 | 105W | 8 | 80 CRI | 27 | 2700K | VH | Hybrid | AN | Anodized | B90 | 90° Beam | 000 | None (Base Model) | 000 | None (Base Model) | FL | IP52 |
| V2M | 288LEDs | | | 150 | 150W | 9 | 90 CRI | 30 | 3000K | | | | | | | 015 | 15% Uplight | OC1 | Occupancy & Daylight | IP | IP65 |
| | | | | 165 | 165W | | | 35 | 3500K | | | | | | | | | BLE | Bluetooth (Avi-On) | | |
| | | | | | | | | 40 | 4000K | | | | | | | | | CSM | Casambi | | |
| | | | | | | | | 50 | 5000K | | | | | | | | | SYN | Synapse | | |
| | | | | | | | | | | | | | | | | | | PR1 | Manual Set Dim | | |

Ordering Table

- Additional combinations may be available - Inquire for availability

| Power | CRI | CCT | Series | Lumen | L/W | Part Number |
|-------|-----|-------|--------|-------|-----|---------------------------------------|
| 105W | 80 | 2700K | V2L | 14560 | 139 | V2L-E40-105-8-27-VH-AN-B90-000-000-FL |
| 105W | 80 | 3000K | V2L | 15412 | 147 | V2L-E40-105-8-30-VH-AN-B90-000-000-FL |
| 105W | 80 | 3500K | V2L | 16095 | 153 | V2L-E40-105-8-35-VH-AN-B90-000-000-FL |
| 105W | 80 | 4000K | V2L | 16662 | 159 | V2L-E40-105-8-40-VH-AN-B90-000-000-FL |
| 105W | 80 | 5000K | V2L | 16662 | 159 | V2L-E40-105-8-50-VH-AN-B90-000-000-FL |
| 105W | 90 | 2700K | V2L | 11994 | 114 | V2L-E40-105-9-27-VH-AN-B90-000-000-FL |
| 105W | 90 | 3000K | V2L | 12696 | 121 | V2L-E40-105-9-30-VH-AN-B90-000-000-FL |
| 105W | 90 | 3500K | V2L | 13258 | 126 | V2L-E40-105-9-35-VH-AN-B90-000-000-FL |
| 105W | 90 | 4000K | V2L | 13726 | 131 | V2L-E40-105-9-40-VH-AN-B90-000-000-FL |
| 105W | 90 | 5000K | V2L | 13726 | 131 | V2L-E40-105-9-50-VH-AN-B90-000-000-FL |
| 150W | 80 | 2700K | V2L | 19298 | 129 | V2L-E40-150-8-27-VH-AN-B90-000-000-FL |
| 150W | 80 | 3000K | V2L | 20427 | 136 | V2L-E40-150-8-30-VH-AN-B90-000-000-FL |
| 150W | 80 | 3500K | V2L | 21332 | 142 | V2L-E40-150-8-35-VH-AN-B90-000-000-FL |
| 150W | 80 | 4000K | V2L | 22084 | 147 | V2L-E40-150-8-40-VH-AN-B90-000-000-FL |
| 150W | 80 | 5000K | V2L | 22084 | 147 | V2L-E40-150-8-50-VH-AN-B90-000-000-FL |

CE CB Europe: 100-277VAC and HID Ballast Compatible

| Date | Project | Part # |
|------|---------|--------|
|------|---------|--------|

Ordering Table

· Additional combinations may be available - Inquire for availability

| CRI | CCT | Power | Series | Lumen | L/W | Part Number |
|------|-----|-------|--------|-------|-----|---------------------------------------|
| 150W | 90 | 2700K | V2L | 15897 | 106 | V2L-E40-150-9-27-VH-AN-B90-000-000-FL |
| 150W | 90 | 3000K | V2L | 16827 | 112 | V2L-E40-150-9-30-VH-AN-B90-000-000-FL |
| 150W | 90 | 3500K | V2L | 17572 | 117 | V2L-E40-150-9-35-VH-AN-B90-000-000-FL |
| 150W | 90 | 4000K | V2L | 18192 | 121 | V2L-E40-150-9-40-VH-AN-B90-000-000-FL |
| 150W | 90 | 5000K | V2L | 18192 | 121 | V2L-E40-150-9-50-VH-AN-B90-000-000-FL |
| 165W | 80 | 2700K | V2M | 22432 | 136 | V2M-E40-165-8-27-VH-AN-B90-000-000-FL |
| 165W | 80 | 3000K | V2M | 23744 | 144 | V2M-E40-165-8-30-VH-AN-B90-000-000-FL |
| 165W | 80 | 3500K | V2M | 24796 | 150 | V2M-E40-165-8-35-VH-AN-B90-000-000-FL |
| 165W | 80 | 4000K | V2M | 25670 | 156 | V2M-E40-165-8-40-VH-AN-B90-000-000-FL |
| 165W | 80 | 5000K | V2M | 25670 | 156 | V2M-E40-165-8-50-VH-AN-B90-000-000-FL |
| 165W | 90 | 2700K | V2M | 18478 | 112 | V2M-E40-165-9-27-VH-AN-B90-000-000-FL |
| 165W | 90 | 3000K | V2M | 19560 | 119 | V2M-E40-165-9-30-VH-AN-B90-000-000-FL |
| 165W | 90 | 3500K | V2M | 20426 | 124 | V2M-E40-165-9-35-VH-AN-B90-000-000-FL |
| 165W | 90 | 4000K | V2M | 21146 | 128 | V2M-E40-165-9-40-VH-AN-B90-000-000-FL |
| 165W | 90 | 5000K | V2M | 21146 | 128 | V2M-E40-165-9-50-VH-AN-B90-000-000-FL |
| 165W | 90 | 5000K | V2M | 21146 | 128 | V2M-X39-165-9-50-VH-AN-B90-000-000-FL |