

Date	Project	Part #		
	<p>Cylinder 13" Reflector + Hook (Hxxx) Base</p> 	<p>Cylinder 13" Reflector + Aircraft Cable (Axxx) Base</p> 	<p>Cylinder 13" Reflector + Stem (Sxxx) Base</p> 	<p>Cylinder 13" Reflector + Surface Mount (Jxxx) Base</p> 

Features

- Up to 7,000 Lumens, 156 L/W
- Certified for Magnetic HID Ballast & 100-277 VAC
- Integrated Patented Optic provides:
 - Low Glare UGR<18
 - 1.3x cd/lumen higher efficiency over no optic
- 80 CRI Standard, High CRI optional
- Wireless control options
- Temperature protection with full output:
 - T_{Ambient} = 65°C/150F for 30W
 - T_{Ambient} = 45°C/115F for 45W
- Socket extender option sold separately
- Enclosed fixture and IC rated for 30W
- Five Year or 50,000 Hour warranty²
- See Website for Installation Guide and IES File

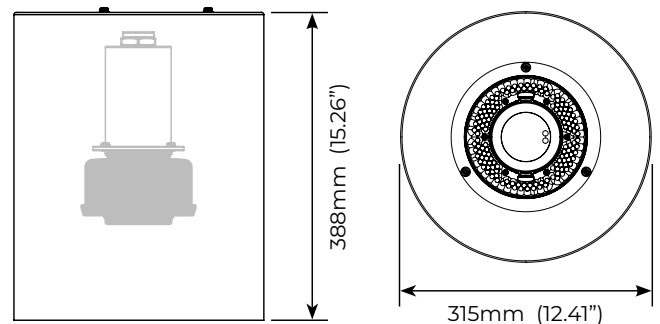
Control Options

- Wireless Options:
 - Synpase, Casambi, Avi-On
- Non Wireless Options:
 - Occupancy & Daylight, Manual Power Set
- Dims to 10% then to off
- Controls not compatible with ballast operation

World Wide Qualifications

- UL/ULC, CE/CB, PSE, CCC, SAA
- ** DLC Standard Listed SSL - Not all product variations listed on this page are DLC qualified. Visit <https://qpl.designlights.org> to confirm qualification
- IP52 / UL damp listed standard
- IP65 / UL wet optional

Mechanical



1. Unless otherwise specified, all values are typical at 25°C, 240VAC
 2. [See limited warranty for details](#)
 3. Specifications subject to change without notice

4. Not intended for use in environments containing airborne corrosive agents such as chemicals, solvents, or cutting fluids
 5. Inquire for availability for special orders

Date _____ Project _____ Part # _____

Photometry

- 50° glare cutoff with $UGR_{ave} < 18$
- Field-installed optical accessories without the need for tools (Optional uplights and diffusers)

Black Interior RFL		Lumens @ CCT				
CRI	Power	2700K	3000K	3500K	4000K	5000K
80	30W	3677	3892	4064	4207	4207
	45W	5318	5629	5879	6086	6086
90	30W	3029	3206	3348	3466	3466
	45W	4381	4637	4843	5013	5013

Electrical (VL Driver)

- VL: Line Voltage 100-277 VAC, 50-60 Hz
- < 1% flicker
- 6 kV surge protection, PF>0.9/THD<20%

	Amps @ Line Voltage (VAC)					
	100V	110V	120V	220V	240V	277V
30W	0.30A	0.27A	0.25A	0.14A	0.13A	0.11A
45W	0.45A	0.41A	0.38A	0.20A	0.19A	0.16A

Part # Key (Part A + Part B)

- Not all combinations are valid or readily available
- Call for availability of custom features - MOQ may apply
- Optical accessories and controls may be shipped separately and installed to the base lamp model in the field by the user - Inquire at time of order

PART A: TRANSCENDENT

Series		Reflector		Exterior/Interior Color		Mounting/ Cord Length		Mounting Color		Termination		Reflector Accessory (Field Install)	
TU TC	UL cert. CE cert.	CY13	Cylinder 13"	BK2BK2 WH2BK2	Black/Black White/Black	H020 H050 A020 S020 J000	Hook 2M Hook 5M Aircraft 2M Stem 2M Surface Mount	000 WH1 BK1	None White Black	Wire N515 1430 C716 CONN JP01	Bare Wire NEMA 5-15 NEMA 14-30 CEE 7/16 Connector PSE Bare Wire	000	None

PART B: LAMP [\(Link to spec sheet\)](#)

Series	Lamp Base		Power		CRI	CCT		Driver	Finish	Optics	Control Module (Field Install)		Accessory (Field Install)					
VA6	X39 E40	EX39 E40	30 45	30W 45W	8 9	80 CRI 90 CRI	22 27 30 35 40 50	2200K 2700K 3000K 3500K 4000K 5000K	VL VH	100-277V Hybrid	AN	Anodized	B90	90° Beam	000 OC1 BLE CSM SYN PRI	None (Base Model) Occupancy & Daylight Bluetooth (Avi-On) Casambi Synapse Manual Set Dim	000 015	None (Base Model) 15% Uplight