

Date	Project	Part #
<div style="display: flex; justify-content: space-around;"> <div style="width: 22%;"> <p><b>Aluminum 16" Reflector + Hook (Hxxx) Base</b></p>  </div> <div style="width: 22%;"> <p><b>Aluminum 16" Reflector + Pendant (Pxxx) Base</b></p>  </div> <div style="width: 22%;"> <p><b>Aluminum 16" Reflector + Stem (Sxxx) Base</b></p>  </div> <div style="width: 22%;"> <p><b>Aluminum 16" Reflector + Surface Mount (Jxxx) Base</b></p>  </div> </div>		

## Features

- Up to 25,700 Lumens, 156 L/W
- Certified for Magnetic HID Ballast & 100-277 VAC
- Integrated Patented Optic provides:
  - Low Glare UGR<18
  - 1.3x cd/lumen higher efficiency over no optic
- 80 CRI Standard, High CRI optional
- Wireless control options
- Temperature protection with full output:
  - T(Ambient) = 55°C/150F for 105W
  - T(Ambient) = 45°C/115F for 150W
  - T(Ambient) = 40°C/115F for 165W
- Enclosed Fixture rated for 105W
- Five years or 50,000 hours warranty<sup>2</sup>
- See website for Installation Guide/IES files

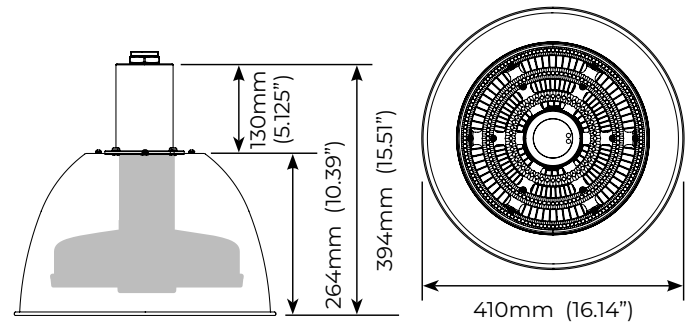
## Control Options

- Control modules may be installed at the factory or in the field
- Options include: Casambi, Avi-On, Synapse, Occupancy & Daylight sensor, and Manual Dimming module
- Dims to 10% then to Off

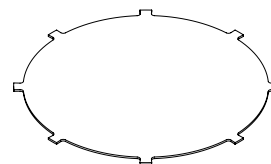
## World Wide Qualifications

- UL/ULC, CE/CB, PSE, KC, BSMI, NOM
- \*\* DLC Standard Listed SSL - Not all product variations listed on this page are DLC qualified. Visit <https://qpl.designlights.org> to confirm qualification
- IP52 / UL damp listed standard
- IP65 / UL wet optional

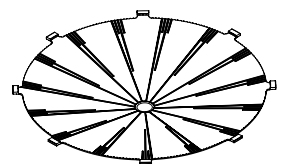
## Mechanical



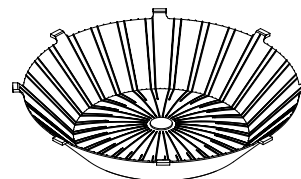
## Compatible Accessories



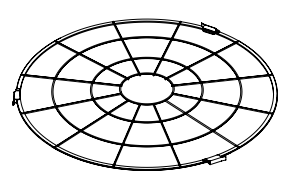
16" UGR Diffuser  
ACC-016-UGR-000-FL



16" Conical Lens  
ACC-016-CNL-000-FL



16" Drop Lens  
ACC-016-DRL-000-FL



16" Wireguard Black  
ACC-016-WBK-000-FL

1. Unless otherwise specified, all values are typical at 25°C, 240VAC  
 2. [See limited warranty for details](#)  
 3. Specifications subject to change without notice

4. Not intended for use in environments containing airborne corrosive agents such as chemicals, solvents, or cutting fluids  
 5. Inquire for availability for special orders

Date \_\_\_\_\_ Project \_\_\_\_\_ Part # \_\_\_\_\_

### Photometry

- 50° glare cutoff with  $UGR_{ave} < 18$
- Field-installed optical accessories without the need for tools (Optional uplights and diffusers)

White Interior RFL			Lumens @ CCT				
CRI	Series	Power	2700K	3000K	3500K	4000K	5000K
80	V2L	105W	14317	15155	15826	16384	16384
		150W	18976	20086	20975	21715	21715
	V2M	165W	22057	23348	24381	25241	25241
		105W	11794	12484	13037	13496	13496
90	V2L	150W	15631	16546	17278	17888	17888
		V2M	165W	18170	19233	20084	20792

Gold Interior RFL			Lumens @ CCT				
CRI	Series	Power	2700K	3000K	3500K	4000K	5000K
80	V2L	105W	14226	15058	15725	16279	16279
		150W	18854	19958	20841	21576	21576
	V2M	165W	21916	23199	24226	25080	25080
90	V2L	105W	11719	12404	12953	13410	13410
		150W	15531	16440	17168	17773	17773
	V2M	165W	18054	19110	19956	20660	20660

### Electrical (VL Driver)

- VL: Line Voltage 100-277 VAC, 50-60 Hz
- < 1% flicker
- 6 kV surge protection, PF>0.9/THD<20%

	Amps @ Line Voltage (VAC)					
	100V	110V	120V	220V	240V	277V
105W	1.05A	0.95A	0.88A	0.48A	0.44A	0.38A
150W	1.50A	1.36A	1.25A	0.68A	0.63A	0.54A
165W	1.65A	1.50A	1.38A	0.75A	0.69A	0.60A

### Part # Key (Part A + Part B)

- Not all combinations are valid or readily available
- Call for availability of custom features - MOQ may apply
- Optical accessories and controls may be shipped separately and installed to the base lamp model in the field by the user - Inquire at time of order

#### PART A: TRANSCENDENT

Series		Reflector	Exterior/Interior Color		Mounting/ Cord Length		Mounting Color		Termination		Reflector Accessory (Field Install)				
TU TC	UL cert. CE cert.	AB16	Aluminum 16"		GR2WH2 BK2GD2 BK2WH2	Gray/White Black/Gold Black/White		H020 H050 P020 S020 A020 J000	Hook 2M Hook 5M Pendant 2M Stem 2M Aircraft 2M Surface Mount	000 WH1 BK1	None White Black	Wire N515 1430 C716 CONN JP01	Bare Wire NEMA 5-15 NEMA 14-30 CEE 7/16 Connector PSE Bare Wire	000 UGR DRL CNL WBK	None UGR Diffuser Drop Lens Conical Lens Wire guard Black

#### PART B: LAMP [\(Link to spec sheet\)](#)

Series		Lamp Base		Power		CRI		CCT		Driver		Finish		Optics		Accessory (Field Install)		Control Module (Field Install)		Other
V2L V2M	144LEDs 288LEDs	X39 E40	EX39 E40	105 150 165	105W 150W 165W	8 9	80 CRI 90 CRI	22 27 30 35 40 50	2200K 2700K 3000K 3500K 4000K 5000K	VL VH	100-277V Hybrid	AN	Anodized	B90	90° Beam	000 015	None (Base Model) 15% Uplight	000 OC1 BLE CSM SYN PR1	None (Base Model) Occupancy & Daylight Bluetooth (Avi-On) Casambi Synapse Manual Set Dim	FL