

Date Project Part #



SAD-E26-E26-150 + VA6 Lamp
(Lamp not included)

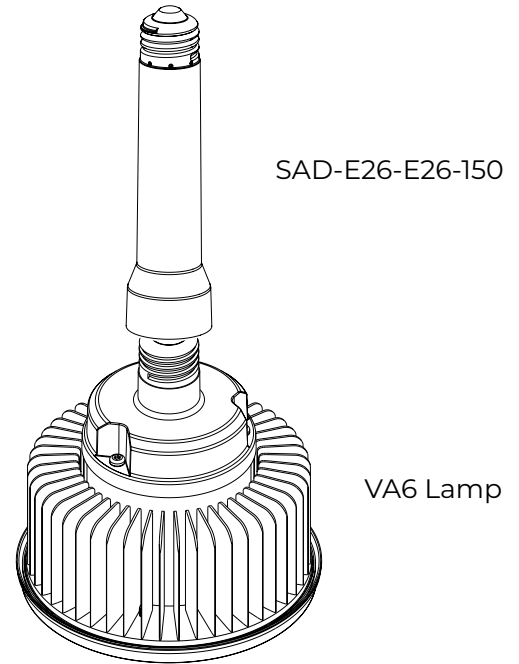
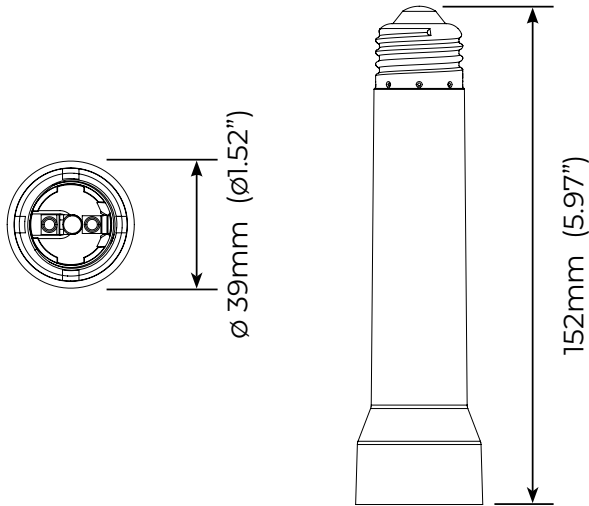
Features

- Socket adapter allows user to extend the light source's base to 150mm

Compatible Products

- VA6 Lamp

Mechanical



Ordering Information

Description	Part Code	Part Number	Quick Ship
Socket Adapter E26->E26 Long 150mm	03939	SAD-E26-E26-150	Yes

1. Unless otherwise specified, all values are typical at 25°C, 240VAC
 2. [See limited warranty for details](#)
 3. Specifications subject to change without notice

4. Not intended for use in environments containing airborne corrosive agents such as chemicals, solvents, or cutting fluids