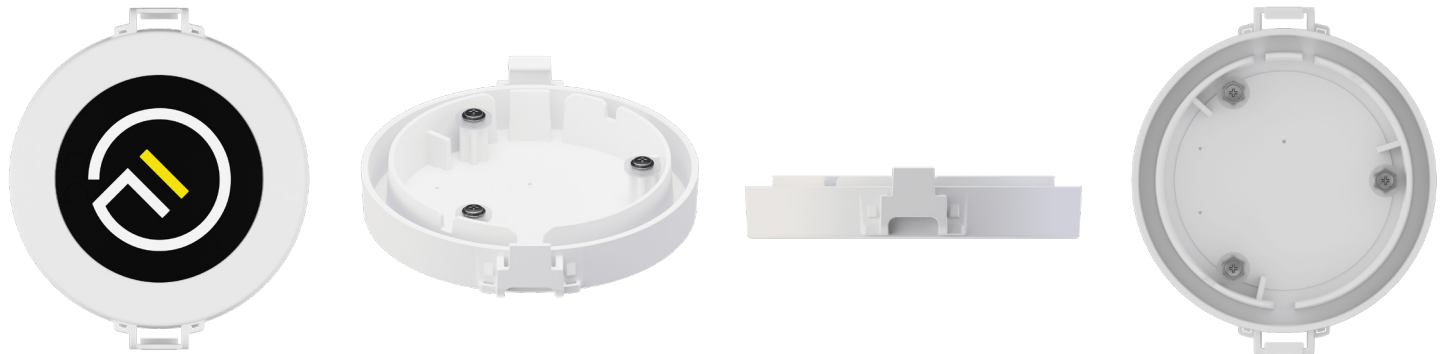


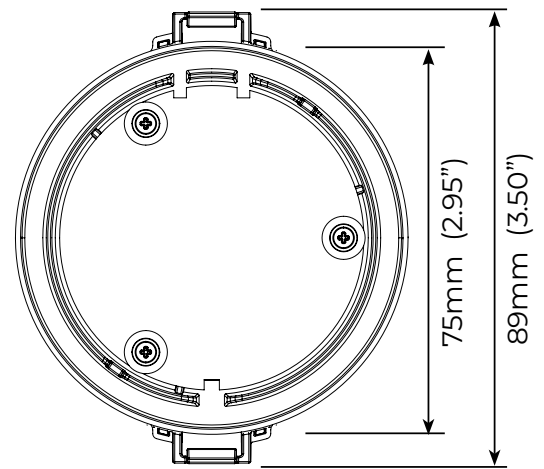
Date                      Project                      Part #



### Features

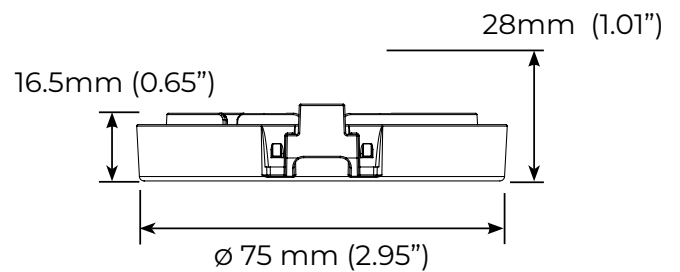
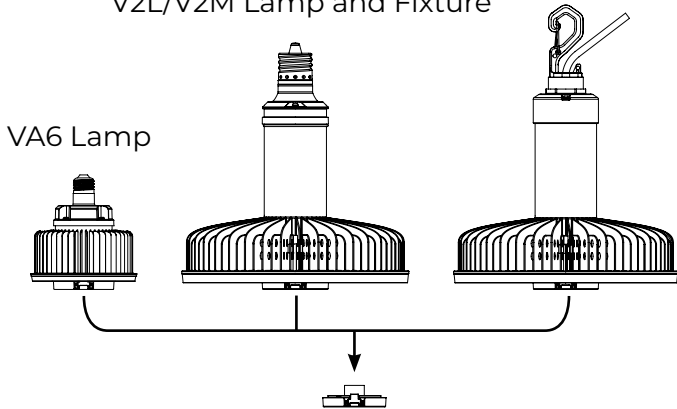
- Easy to install - Simply snap into front connector
- See website for Installation Guide

### Mechanical



### Compatible Products

V2L/V2M Lamp and Fixture



### Ordering Information

Description	Control Type	Part Code	Part Number	Quick Ship
Front Control Cap White Bare	None	03068	CAP-A75-000-WH-FL-FL	Yes

1. Unless otherwise specified, all values are typical at 25°C, 240VAC  
 2. [See limited warranty for details](#)  
 3. Specifications subject to change without notice

4. Not intended for use in environments containing airborne corrosive agents such as chemicals, solvents, or cutting fluids