

## 22"/56cm Reflector Accessory

Date \_\_\_\_\_ Project \_\_\_\_\_ Part # \_\_\_\_\_



**22" Reflector + 22" Drop Lens**  
(Reflector not included)

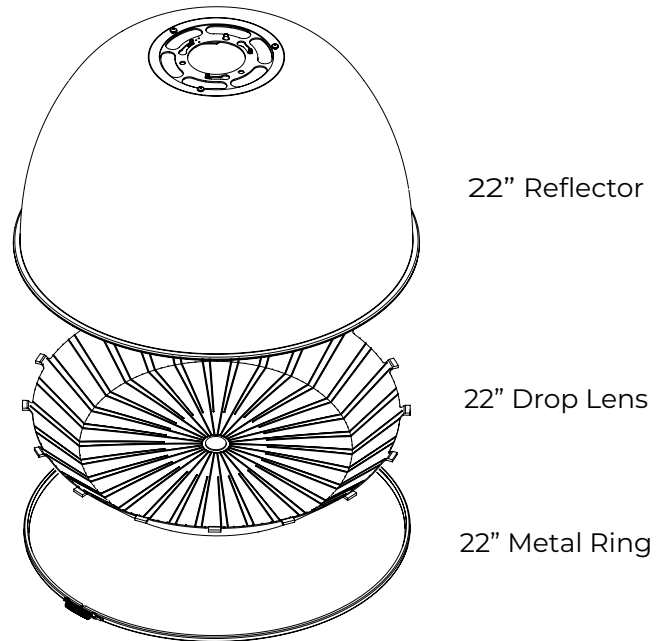
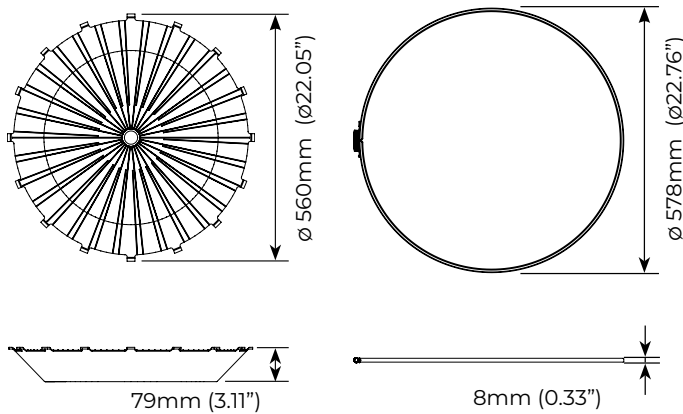
### Features

- Widens base luminaire distribution
- Hides the LEDs from view
- Quick and easy installation – simply snap into reflector with supplied metal ring
- See website for Installation Guide/IES files

### Compatible Products

- Aluminum Bell 22" Reflector
- Prismatic 22" Reflector

### Mechanical



### Ordering Information

Description	Part Code	Part Number	Quick Ship
22" Drop Lens	03874	ACC-022-DRL-000-FL	Yes

1. Unless otherwise specified, all values are typical at 25°C, 240VAC  
 2. [See limited warranty for details](#)  
 3. Specifications subject to change without notice

4. Not intended for use in environments containing airborne corrosive agents such as chemicals, solvents, or cutting fluids