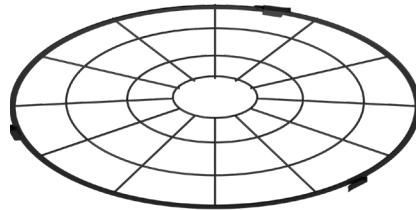
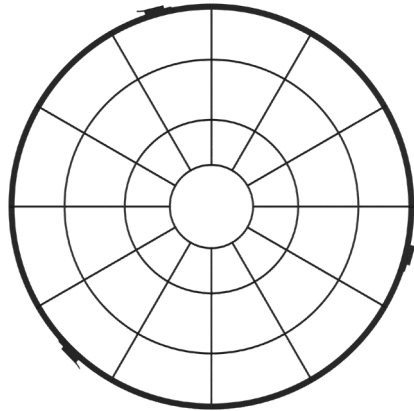


16"/41cm Reflector Accessory

Date Project Part #



16" Reflector + 16" Wireguard Black
(Reflector not included)

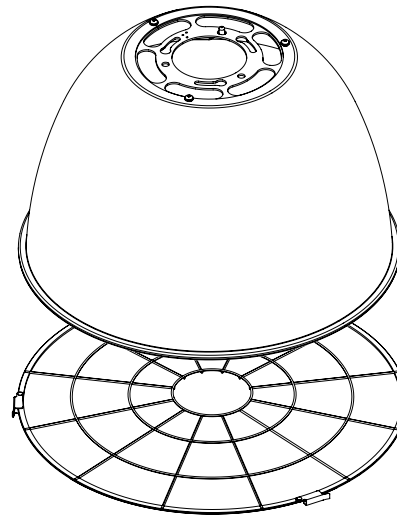
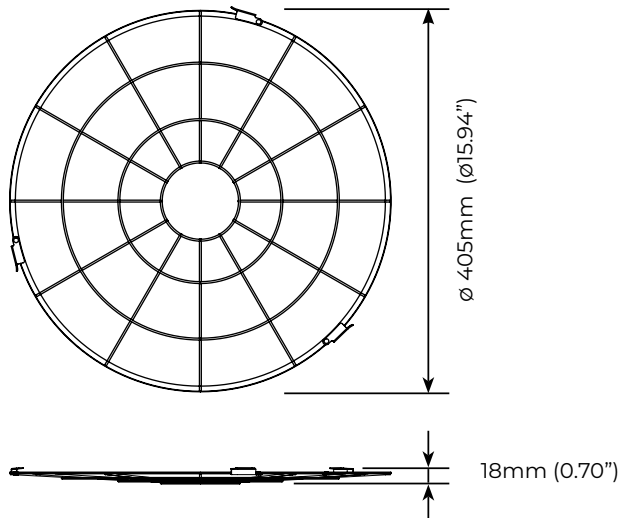
Features

- Protects luminaire from ball strikes
- Quick and easy installation – simply clip onto reflector edge
- See website for Installation Guide/IES files

Compatible Products

- Aluminum Bell 16" Reflector
- Prismatic 16" Reflector

Mechanical



16" Reflector

16" Wireguard Black

Ordering Information

Description	Part Code	Part Number	Quick Ship
16" Wireguard Black	00681	ACC-016-WBK-000-FL	Yes

1. Unless otherwise specified, all values are typical at 25°C, 240VAC
 2. [See limited warranty for details](#)
 3. Specifications subject to change without notice

4. Not intended for use in environments containing airborne corrosive agents such as chemicals, solvents, or cutting fluids