

16"/41cm Reflector Accessory

Date _____ Project _____ Part # _____



16" Reflector + 16" Conical Lens
(Reflector not included)

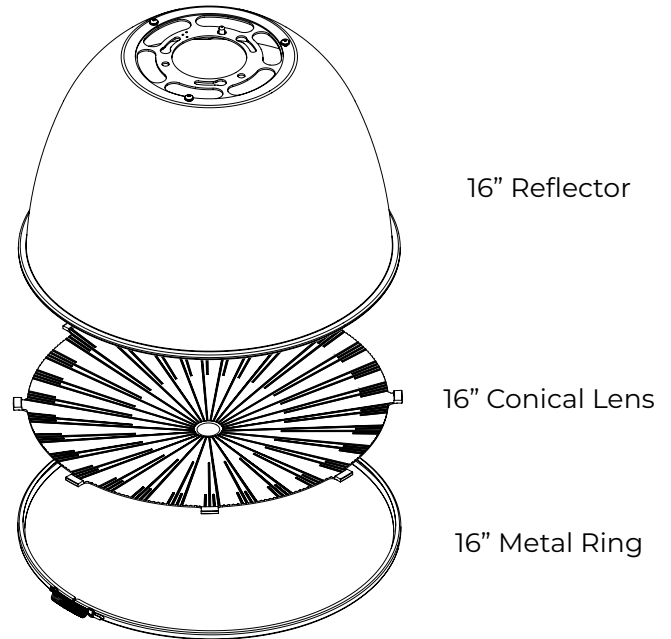
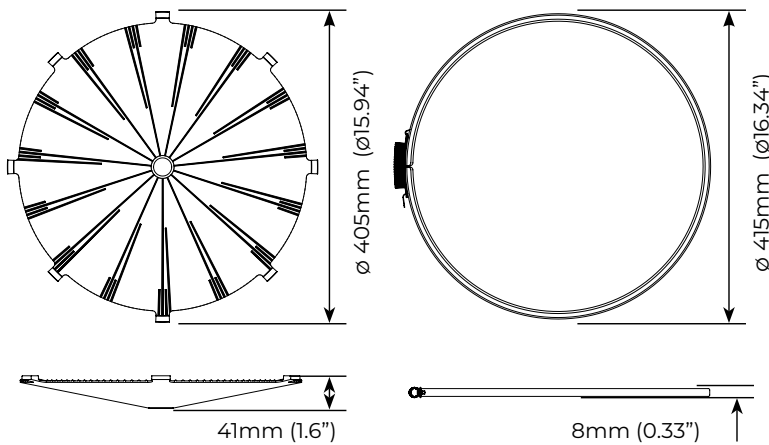
Features

- Widens base luminaire distribution
- Hides the LEDs from view
- Quick and easy installation – simply snap into reflector with supplied metal ring
- See website for Installation Guide/IES files

Compatible Products

- Aluminum Bell 16" Reflector
- Prismatic 16" Reflector

Mechanical



Ordering Information

Description	Part Code	Part Number	Quick Ship
16" Conical Lens	03871	ACC-016-CNL-000-FL	Yes

1. Unless otherwise specified, all values are typical at 25°C, 240VAC
 2. [See limited warranty for details](#)
 3. Specifications subject to change without notice

4. Not intended for use in environments containing airborne corrosive agents such as chemicals, solvents, or cutting fluids

16"/41cm Reflector Accessory

Date _____ Project _____ Part # _____



16" Reflector + 16" Drop Lens
(Reflector not included)

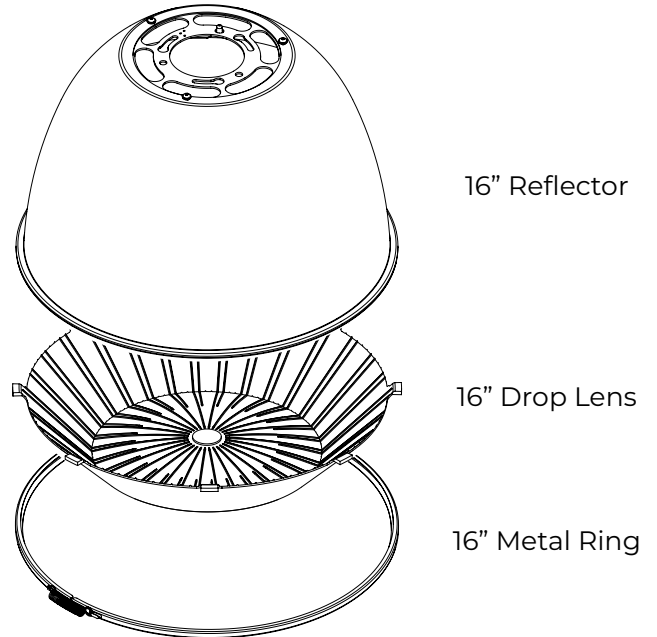
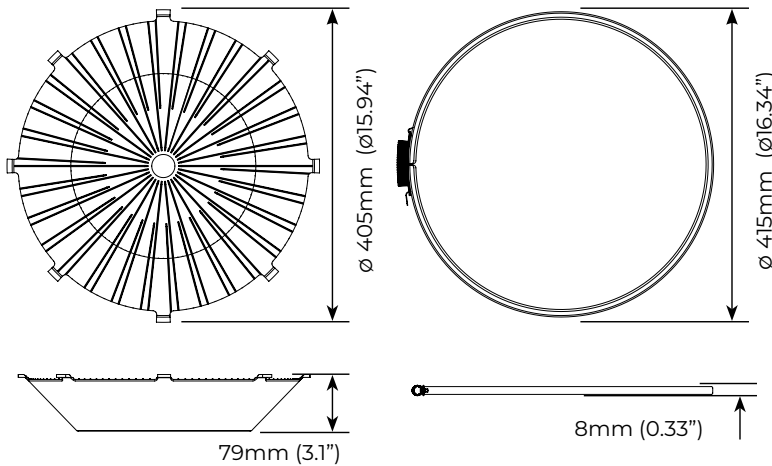
Features

- Widens base luminaire distribution
- Hides the LEDs from view
- Quick and easy installation – simply snap into reflector with supplied metal ring
- See website for Installation Guide/IES files

Compatible Products

- Aluminum Bell 16" Reflector
- Prismatic 16" Reflector

Mechanical



Ordering Information

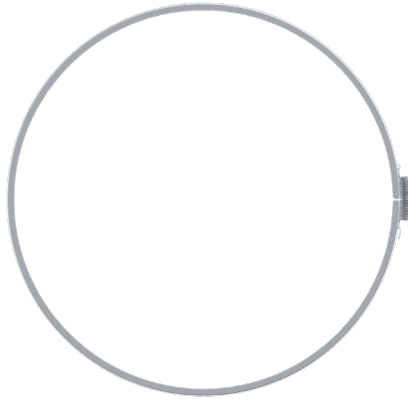
Description	Part Code	Part Number	Quick Ship
16" Drop Lens	03870	ACC-016-DRL-000-FL	Yes

1. Unless otherwise specified, all values are typical at 25°C, 240VAC
 2. [See limited warranty for details](#)
 3. Specifications subject to change without notice

4. Not intended for use in environments containing airborne corrosive agents such as chemicals, solvents, or cutting fluids

16"/41cm Reflector Accessory

Date Project Part #



16" Reflector + 16" Metal Ring
(Reflector not included)

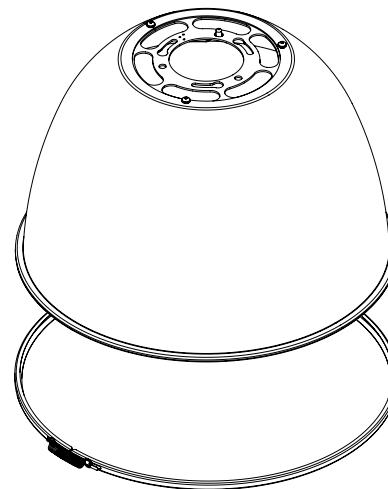
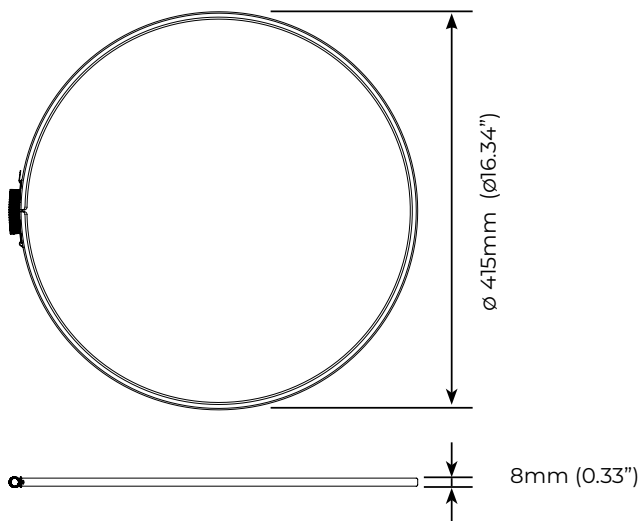
Features

- Designed to attach to the respective reflector accessory

Compatible Products

- Aluminum Bell 16" Reflector
- Prismatic 16" Reflector

Mechanical



16" Reflector

16" Metal Ring

Ordering Information

Description	Part Code	Part Number	Quick Ship
16" Metal Ring	03872	ACC-016-RIN-000-FL	Yes

1. Unless otherwise specified, all values are typical at 25°C, 240VAC
 2. [See limited warranty for details](#)
 3. Specifications subject to change without notice

4. Not intended for use in environments containing airborne corrosive agents such as chemicals, solvents, or cutting fluids

16"/41cm Reflector Accessory

Date Project Part #

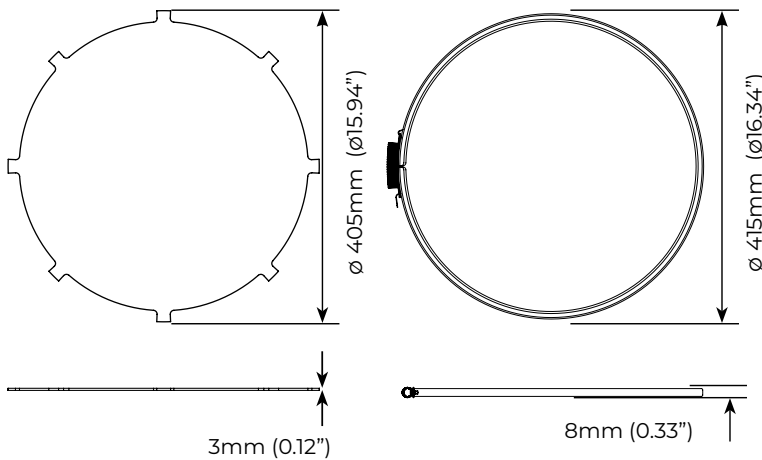


16" Reflector + 16" UGR Diffuser
(Reflector not included)

Features

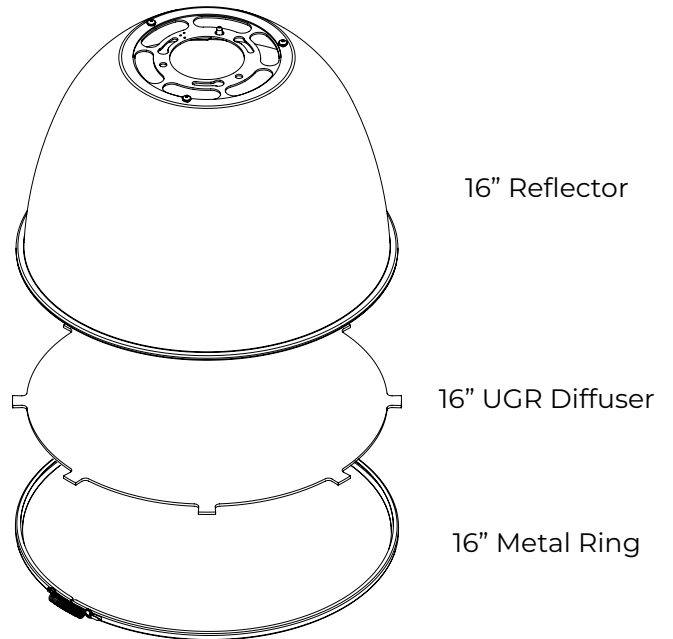
- Widens base luminaire distribution
- Hides the LEDs from view
- Quick and easy installation – simply snap into reflector with supplied metal ring
- See website for Installation Guide/IES files

Mechanical



Compatible Products

- Aluminum Bell 16" Reflector
- Prismatic 16" Reflector



Ordering Information

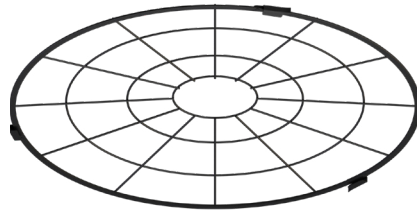
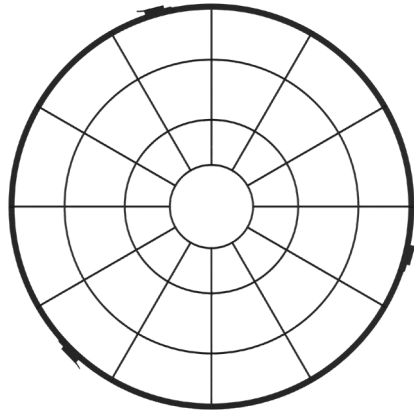
Description	Part Code	Part Number	Quick Ship
16" UGR Diffuser	00679	ACC-016-UGR-000-FL	Yes

1. Unless otherwise specified, all values are typical at 25°C, 240VAC
 2. [See limited warranty for details](#)
 3. Specifications subject to change without notice

4. Not intended for use in environments containing airborne corrosive agents such as chemicals, solvents, or cutting fluids

16"/41cm Reflector Accessory

Date Project Part #



16" Reflector + 16" Wireguard Black
(Reflector not included)

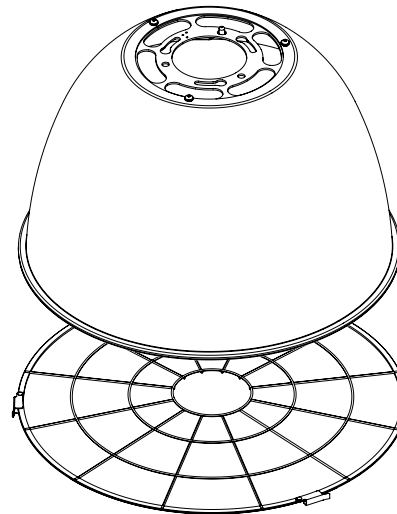
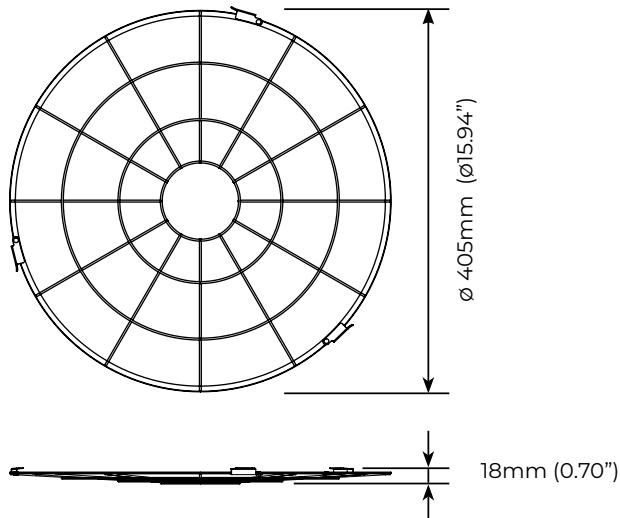
Features

- Protects luminaire from ball strikes
- Quick and easy installation – simply clip onto reflector edge
- See website for Installation Guide/IES files

Compatible Products

- Aluminum Bell 16" Reflector
- Prismatic 16" Reflector

Mechanical



16" Reflector

16" Wireguard Black

Ordering Information

Description	Part Code	Part Number	Quick Ship
16" Wireguard Black	00681	ACC-016-WBK-000-FL	Yes

1. Unless otherwise specified, all values are typical at 25°C, 240VAC
 2. [See limited warranty for details](#)
 3. Specifications subject to change without notice

4. Not intended for use in environments containing airborne corrosive agents such as chemicals, solvents, or cutting fluids