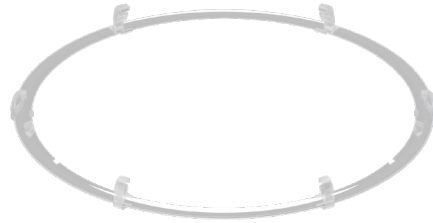


V2L/V2M Uplight 15% Accessory

| Date | Project | Part # |
|------|---------|--------|
|------|---------|--------|

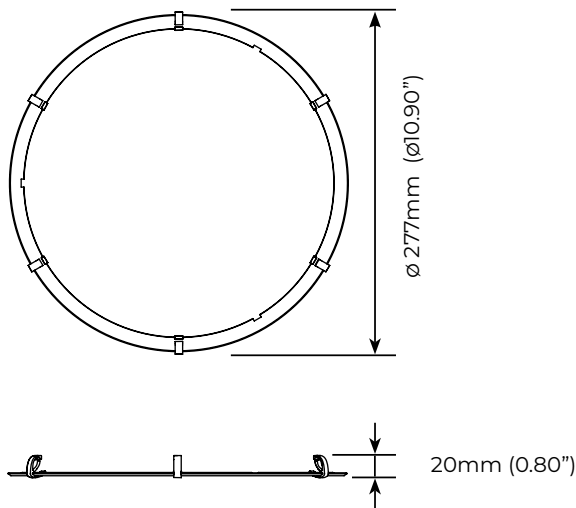


**V2L/V2M Lamp + 10" Uplight 15%**  
(Lamp not included)

### Features

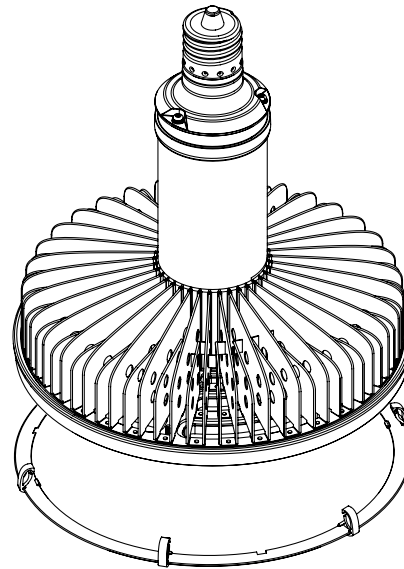
- Ø10" Uplight Optical provides about 15% uplight
- Quick and easy installation – simply snap into front of lens
- See website for Installation Guide/IES files

### Mechanical



### Compatible Products

- V2L/V2M Lamp



V2L/V2M Lamp

10" Uplight 15%

### Ordering Information

| Description     | Part Code | Part Number        | Quick Ship |
|-----------------|-----------|--------------------|------------|
| 10" Uplight 15% | 03000     | ACC-010-U15-000-FL | Yes        |

1. Unless otherwise specified, all values are typical at 25°C, 240VAC  
 2. [See limited warranty for details](#)  
 3. Specifications subject to change without notice

4. Not intended for use in environments containing airborne corrosive agents such as chemicals, solvents, or cutting fluids