

Date                      Project                      Part #



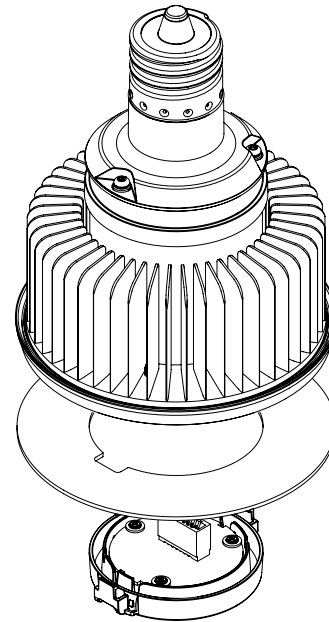
**VA6 Lamp + 5" Diffuser**  
(Lamp not included)

### Features

- Widens the base lamp distribution.
- Quick and easy installation – Simply snap into front control module and attach module to lamp.
- See website for Installation Guide/IES files

### Compatible Products

- VA6 Lamp

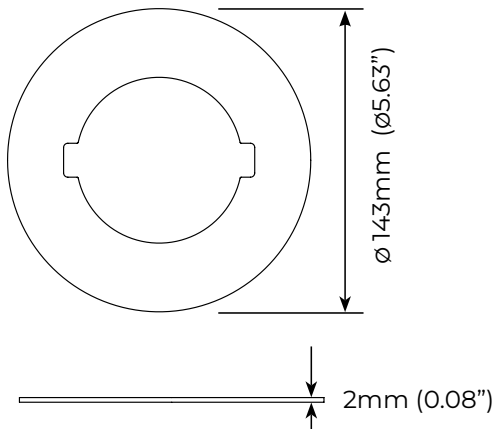


VA6 Lamp

5" UGR/K80  
Diffuser

Cap/Control Cap

### Mechanical



### Ordering Information

Description	Part Code	Part Number	Quick Ship
5" UGR Diffuser	03877	ACC-005-UGR-000-FL	Yes
5" K80 Diffuser	00674	ACC-005-K80-000-FL	Yes

1. Unless otherwise specified, all values are typical at 25°C, 240VAC  
 2. [See limited warranty for details](#)  
 3. Specifications subject to change without notice

4. Not intended for use in environments containing airborne corrosive agents such as chemicals, solvents, or cutting fluids