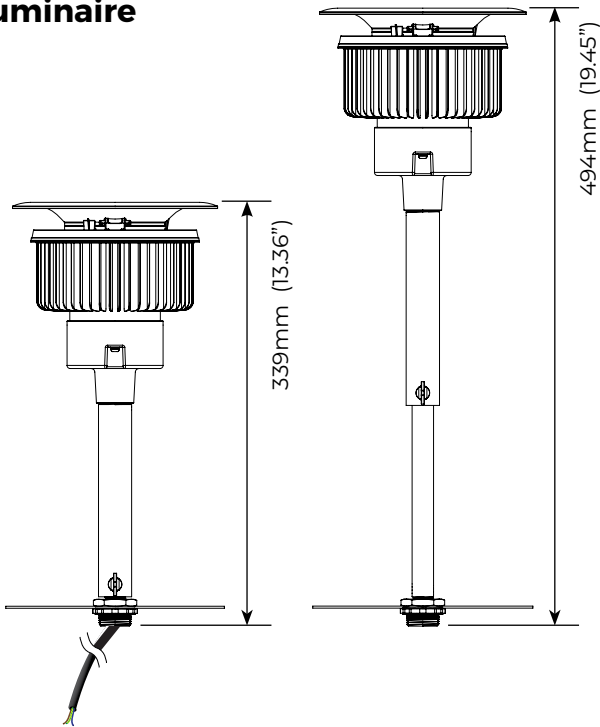


Luminaire



Model Number

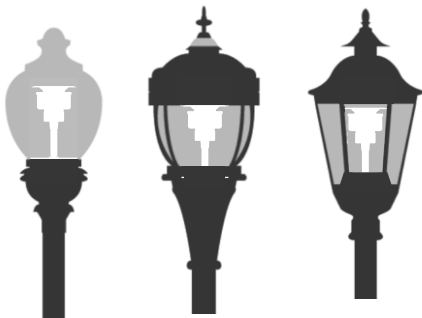
VA6-FIX-ccc-d-ee-VL-gg-hhh-iii-yyy-kkkk-l-lll-mm

Minimum Lamp Compartment Dimensions

30.48 cm(L) x 30.48 cm(W) x 50.8 cm(H)

Intended Applications

This VA6 Post Top Retrofit Kit is designed for vertical use only AND in compatible applications similar to those pictured here



Base Down Post Top style fixtures

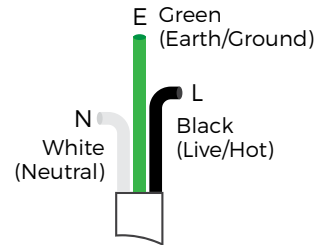
Product Description

This Retrofit Kit is designed for direct installation into the intended fixture and will not require the use of any drills or cutting tools. Do not make or alter any open holes in a wiring enclosure or electrical components during the kit installation.

North America / Japan / Korea / Mexico

Applies to UL certified luminaires

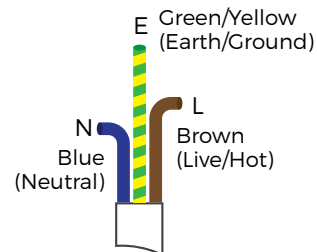
Cable Wire Color



Europe / Asia / Australia / Japan / Korea

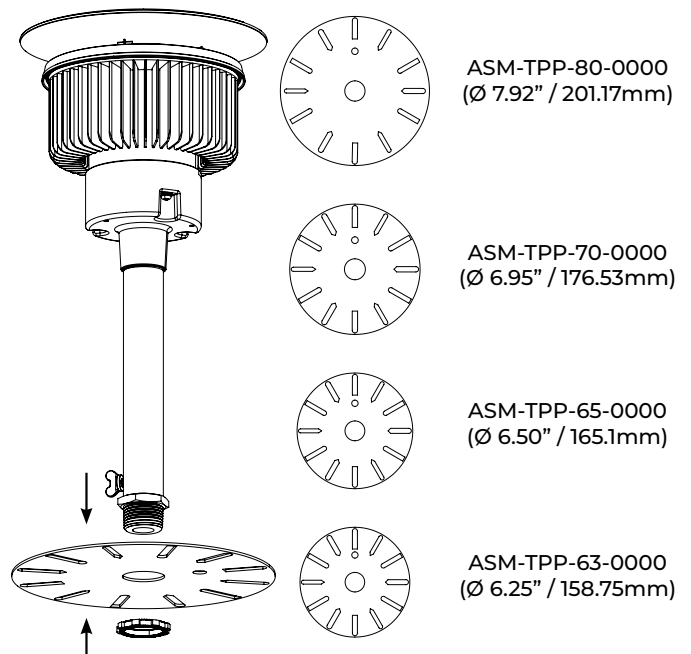
Applies to CE certified luminaires

Cable Wire Color



Required Tools and Hardware (Not Provided)

- Flat and Phillips Head Screwdrivers
- Wrench and/or Hex Keys
- Pliers, Wire strippers
- Screws retained from fixture



CAUTION

- THIS IS A LINE DRIVEN 100VAC-277VAC.
- THIS LAMP IS NOT RATED FOR USE WITH HID BALLAST OR EXTERNAL LED DRIVER.
- DO NOT USE WITH STANDARD DIMMERS.
- SUITABLE FOR WET LOCATIONS.
- THIS DEVICE IS NOT INTENDED FOR EMERGENCY LIGHTING OR FOR USE WITH EMERGENCY EXITS.
- PLEASE READ ALL INSTRUCTIONS BEFORE ATTEMPTING INSTALLATION.

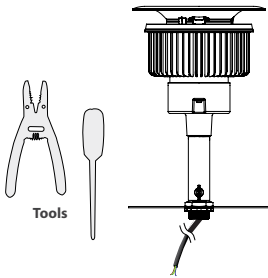
WARNING

- WARNING** - RISK OF FIRE OR ELECTRIC SHOCK. LUMINAIRE WIRING AND ELECTRICAL PARTS MAY BE DAMAGED WHEN DRILLING FOR INSTALLATION OF LED RETROFIT KIT. CHECK FOR ENCLOSED WIRING AND COMPONENTS.
- WARNING** - RISK OF FIRE OR ELECTRIC SHOCK. THIS PRODUCT MUST BE INSTALLED IN ACCORDANCE WITH THE APPLICABLE INSTALLATION CODE BY A PERSON FAMILIAR WITH THE CONSTRUCTION AND OPERATION OF THE PRODUCT AND THE HAZARDS INVOLVED.
- WARNING** - ONLY THOSE OPEN HOLES INDICATED IN THE PHOTOGRAPHS AND/OR DRAWINGS MAY BE MADE OR ALTERED AS A RESULT OF KIT INSTALLATION. DO NOT LEAVE ANY OTHER OPEN HOLES IN AN ENCLOSURE OF WIRING OR ELECTRICAL COMPONENTS.
- WARNING** - RISK OF FIRE OR ELECTRIC SHOCK. LED RETROFIT KIT INSTALLATION REQUIRES KNOWLEDGE OF LUMINAIRES ELECTRICAL SYSTEMS. IF NOT QUALIFIED, DO NOT ATTEMPT INSTALLATION. CONTACT A QUALIFIED ELECTRICIAN.
- WARNING** - RISK OF FIRE OR ELECTRIC SHOCK. INSTALL THIS KIT ONLY IN LUMINAIRES THAT HAVE THE CONSTRUCTION FEATURES AND DIMENSIONS SHOWN IN THE PHOTOGRAPHS AND/OR DRAWINGS AND WHERE THE INPUT RATING OF THE RETROFIT KIT DOES NOT EXCEED THE INPUT RATING OF THE LUMINAIRE.
- WARNING** - TO PREVENT WIRING DAMAGE OR ABRASION, DO NOT EXPOSE WIRING TO EDGES OF SHEET METAL OR OTHER SHARP OBJECTS.
- WARNING** - DO NOT MAKE OR ALTER ANY OPEN HOLES IN AN ENCLOSURE OF WIRING OR ELECTRICAL COMPONENTS DURING KIT INSTALLATION.

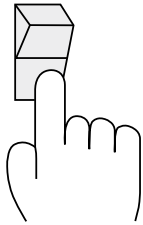
Installation Instructions

This is a Line Driven (100VAC-277VAC) LED Lamp Retrofit Kit

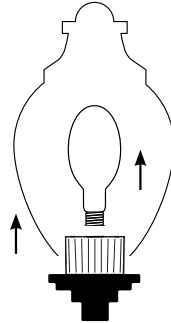
- 1.** Make sure you have the required parts and tools.



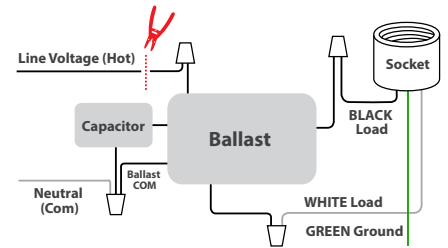
- 2.** Turn power to fixture off.



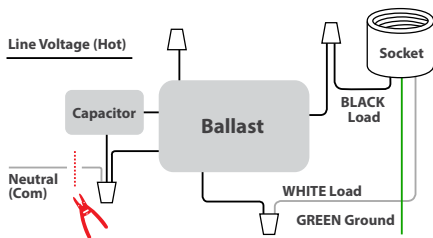
- 3.** Remove HID lamp and globe from socket.



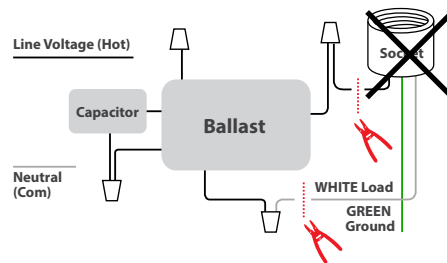
- 4.** Disconnect line voltage (hot wire) from ballast.



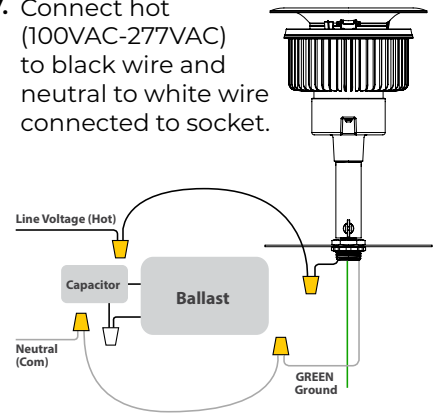
- 5.** Disconnect neutral from ballast.



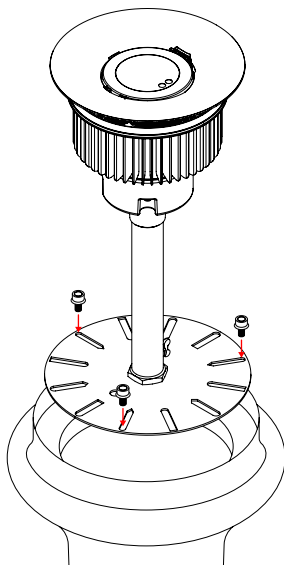
- 6.** Disconnect and remove socket from the ballast completely.



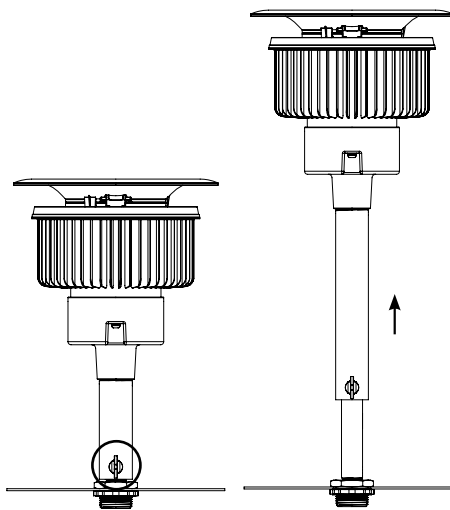
- 7.** Connect hot (100VAC-277VAC) to black wire and neutral to white wire connected to socket.



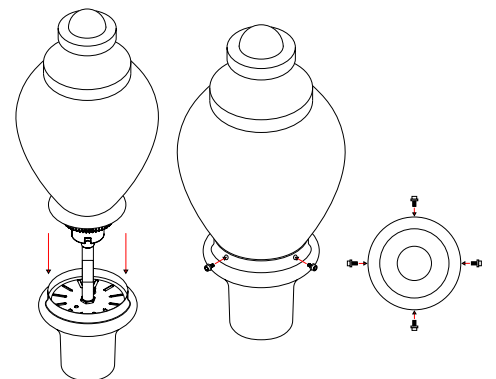
- 8.** Add the fixture to the base by placing the plate onto the base. Attach with tightened screws.



- 9.** Adjust the length of the pole by loosening the screw, and then tighten when length is chosen. **Note that the height from the plate to the ground must be $\geq 1.2M$



- 10.** Attach the globe to the base by fastening the 4 screws of the base.



- 11.** Turn power on.

