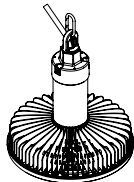
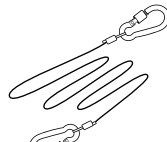


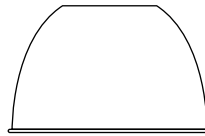
Provided Materials



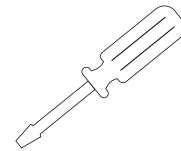
V3M Fixture



Safety cable



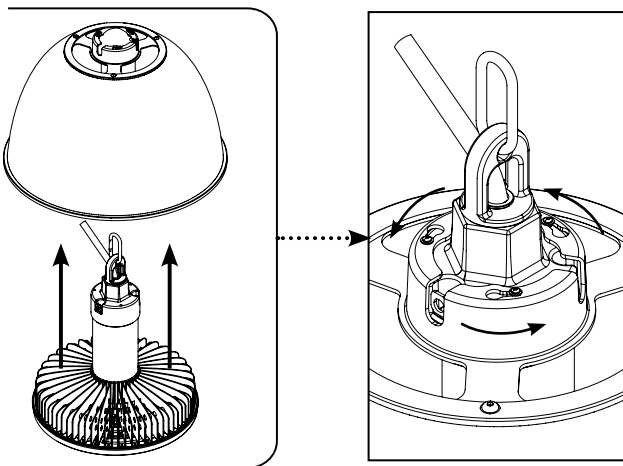
Reflector



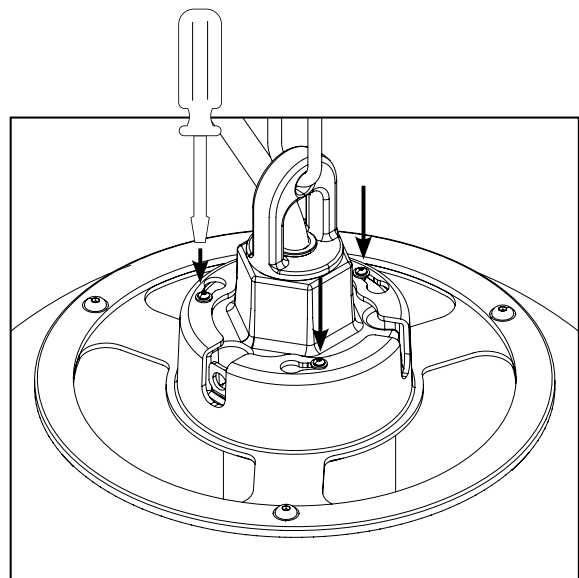
Screwdriver

Instructions

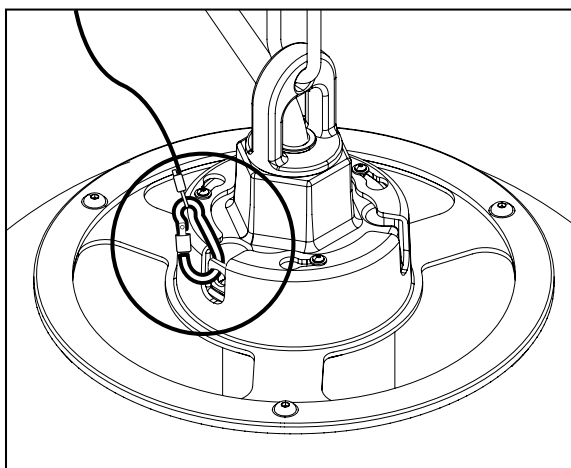
1. Pull the Fixture through the bottom of the reflector up and then twist and lock the fixture into the reflector's cap.



2. Tighten screws with a screwdriver.



3. Attach safety cable through safety cable adapter.



4. Installation complete.

