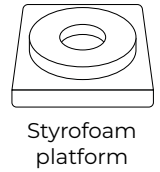
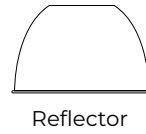
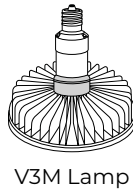
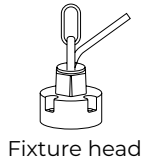
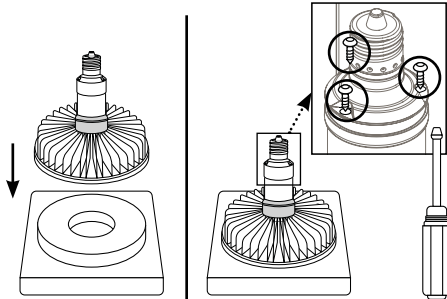


Provided Materials

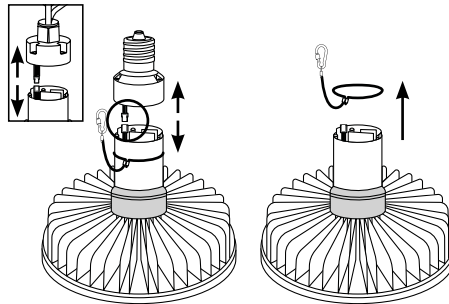


Instructions

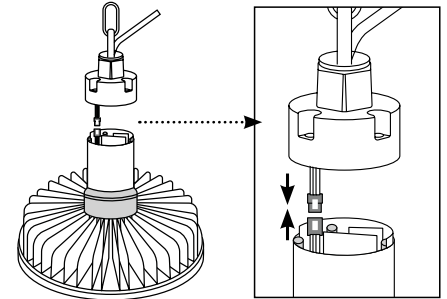
- 1.** Place lightsource on styrofoam platform and unscrew three screws from lamp head. These screws will be reused in step 5.



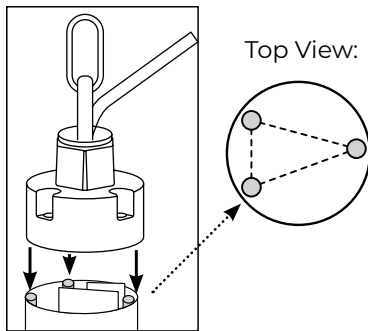
- 2.** Detach lamp head and disconnect black electrical cable. Remove safety cable.



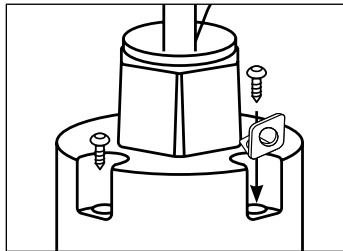
- 3.** Attach the Fixture head's black electrical connector. Make sure the white markings are aligned.



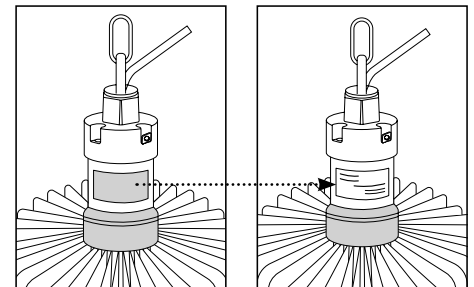
- 4.** Align Fixture head's screw holes and firmly place.
Note: there is only one correct aligned orientation.



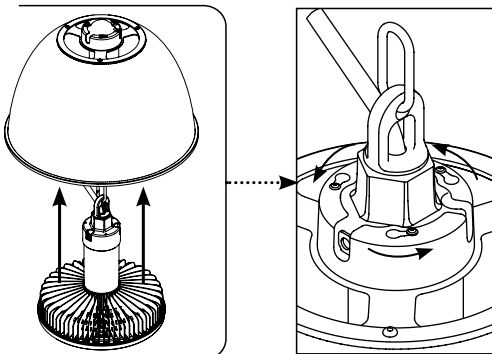
- 5.** Place one of the screws through the safety hook adapter and into one of the three V3M holes. Insert the other screws into the remaining holes and screw in.



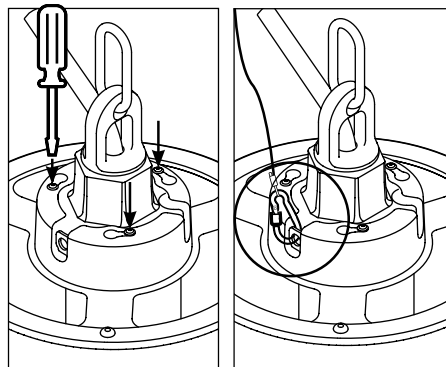
- 6.** Stick on a new label sticker over the old label.



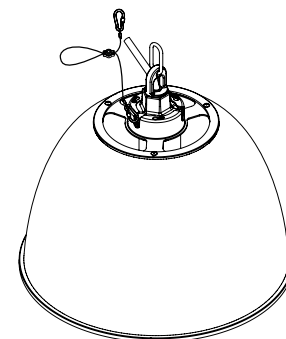
- 7.** Pull the Fixture through the bottom of the reflector up until the reflector plate snaps into the slot of the black rubber ring.



- 8.** Tighten screws with a screwdriver, then attach safety cable through safety cable adapter.



- 9.** Installation complete.



[Installation Video](#)