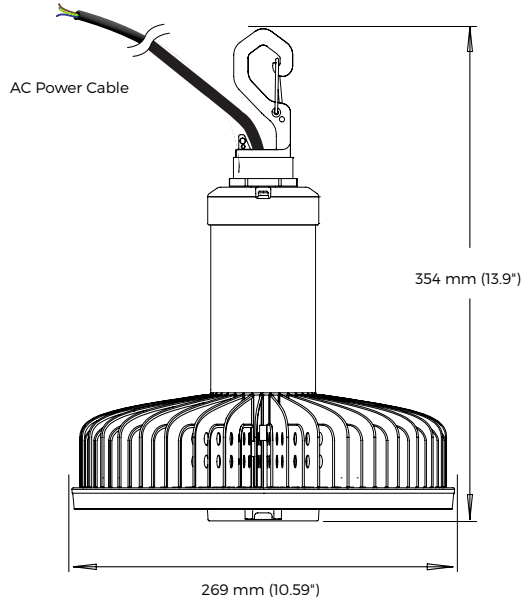


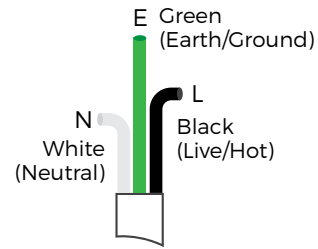
Luminaire

Works direct to line 100-277 VAC line



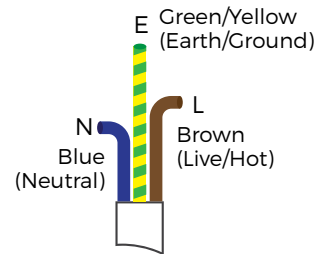
North America / Japan / Korea / MEXICO

Applies to UL certified luminaires
Cable Wire Color

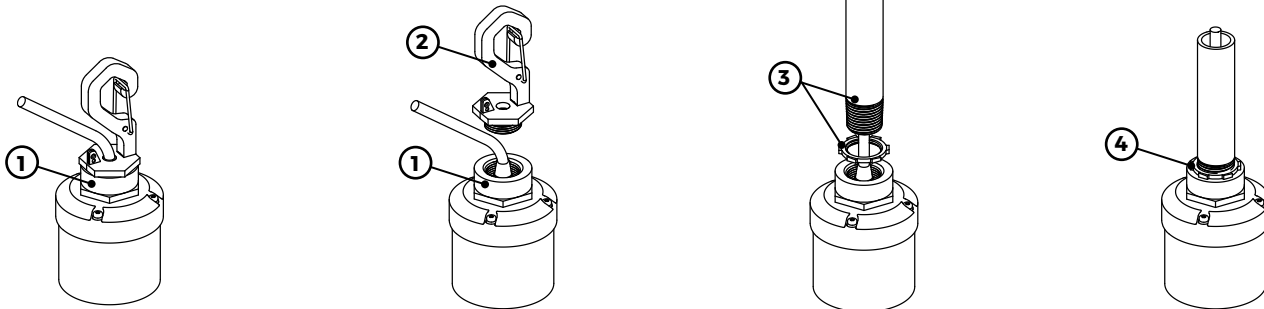


Europe / Asia / Australia / Japan / Korea

Applies to CE certified luminaires
Cable Wire Color



Option to remove hook for mounting to 3/4" NPT pipe



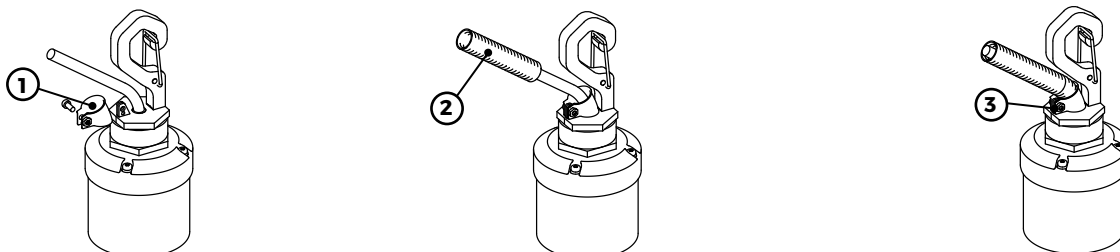
1. Clamp bottom head assembly holding it fixed

2. Unscrew hook from bottom head assembly while holding bottom head assembly fixed

3. Insert locking nut (not provided) and 3/4" NPT Pipe onto head assembly

4. Tighten locking nut on to bottom head assembly

Option to install flexible armour conduit



1. Install clamp (purchase separately from Filamento) onto hook.

2. Insert flexible armour conduit onto clamp assembly

3. Tighten clamp onto flexible armour conduit.

- WARNING -** DISCONNECT OR TURN OFF POWER BEFORE INSTALLATION OR SERVICING.

- WARNING -** VERIFY THAT SUPPLY VOLTAGE IS CORRECT BY COMPARING IT WITH THE LUMINAIRE LABEL.

- WARNING -** THE LUMINAIRE SHALL BE INSTALLED BY A QUALIFIED ELECTRICIAN AND WIRED IN ACCORDANCE WITH THE LATEST IEE OR NEMA ELECTRICAL REGULATIONS OR THE NATIONAL REQUIREMENTS.

- WARNING -** MAKE ALL ELECTRICAL AND GROUNDED CONNECTIONS IN ACCORDANCE WITH ANY APPLICABLE LOCAL CODE REQUIREMENTS.

- WARNING -** ALL WIRING CONNECTIONS SHOULD BE CAPPED WITH APPROVED RECOGNIZED WIRE CONNECTORS.

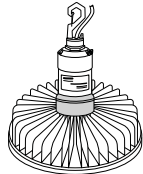
- WARNING -** ALLOW LAMP/FIXTURE TO COOL BEFORE HANDLING. DO NOT TOUCH ENCLOSURE OR LIGHT SOURCE.

- WARNING -** FOLLOW ALL MANUFACTURER'S WARNINGS, RECOMMENDATIONS AND RESTRICTIONS FOR: DRIVER TYPE, BURNING POSITION, MOUNTING LOCATIONS/METHODS, REPLACEMENT AND RECYCLING.

- WARNING -** IF THE EXTERNAL FLEXIBLE CABLE OR CORD OF THIS LUMINAIRE IS DAMAGED, IT SHALL BE EXCLUSIVELY REPLACED BY THE MANUFACTURER OR HIS SERVICE AGENT OR A SIMILAR QUALIFIED PERSON IN ORDER TO AVOID A HAZARD.

- WARNING -** THE LIGHT SOURCE OF THIS LUMINAIRE IS NOT REPLACEABLE; WHEN THE LIGHT SOURCE REACHES ITS END OF LIFE THE WHOLE LUMINAIRE SHALL BE REPLACED.

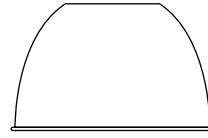
- WARNING -** YOU MUST CONNECT THE INPUT POWER CABLE TO THE POWER SUPPLY USING THE SAME IP LEVEL AND A JUNCTION BOX WITH A CORD ANCHORAGE DEVICE.

Provided Materials

V2L/V2M Fixture



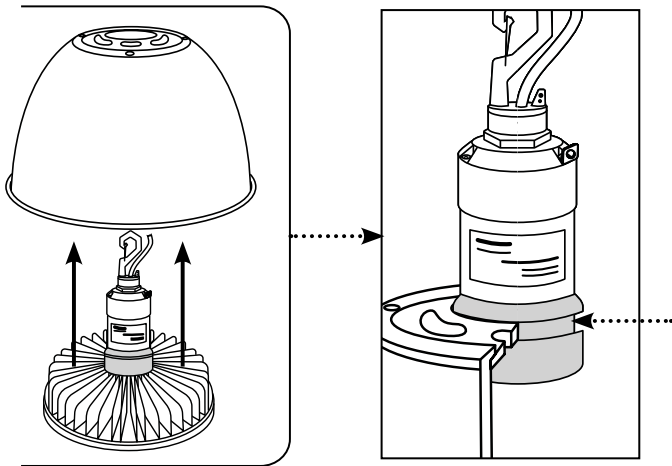
Safety cable



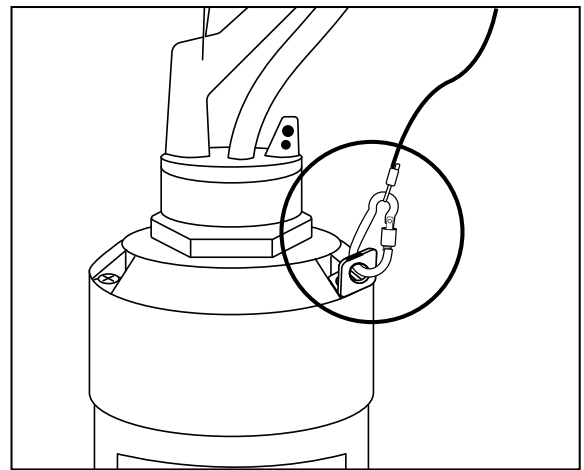
Reflector

Instructions

1. Pull the Fixture through the bottom of the reflector up until the reflector plate snaps into the slot of the black rubber ring.



2. Attach safety cable through safety cable adapter.



3. Installation complete.

