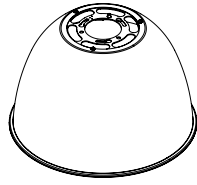
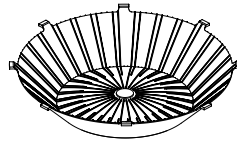
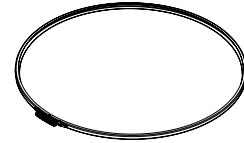
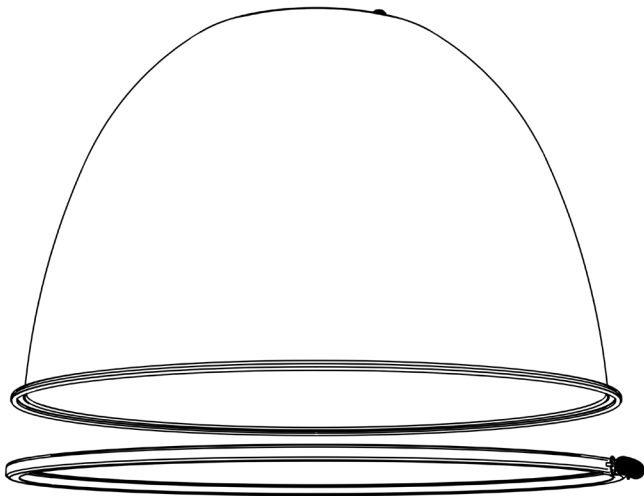
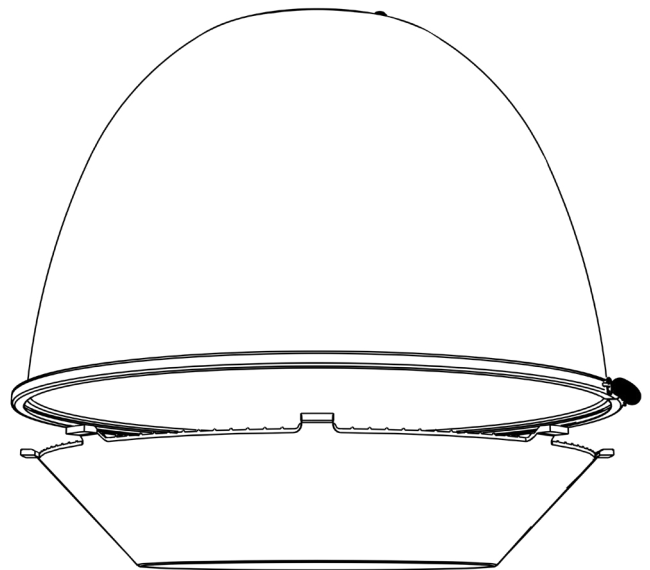
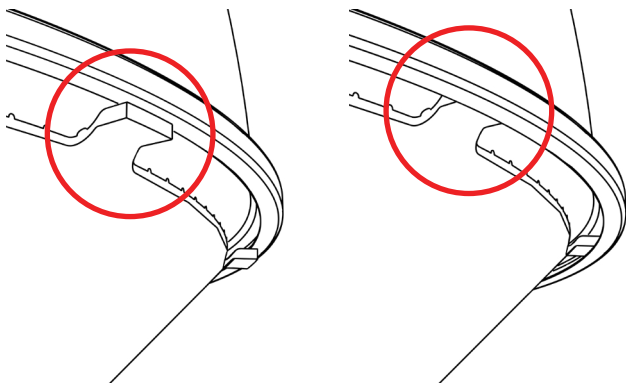
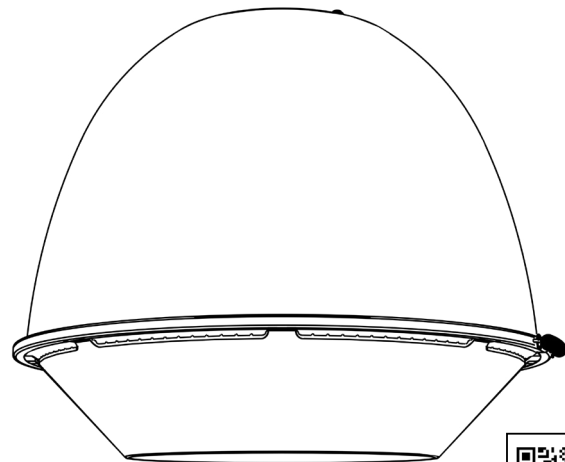


Provided MaterialsBell Reflector
(12" 16" or 22")

Drop Lens Reflector



Metal Ring

Installation Video: https://www.Filamento.com/INSV_ACC-xxx-DRL-000-FL**Instructions****1.** Place Metal Ring on Bell Reflector.**2.** Place Drop Lens on rim of Bell Reflector.**3.** Push tabs of Drop Lens into metal ring. Make sure all eight tabs are attached.**4.** Installation complete!**Installation Video**