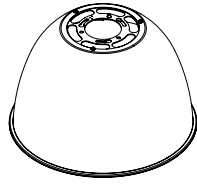
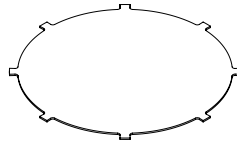


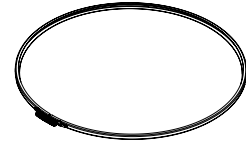
Provided Materials



Bell Reflector
(12" 16" or 22")



Conical Reflector

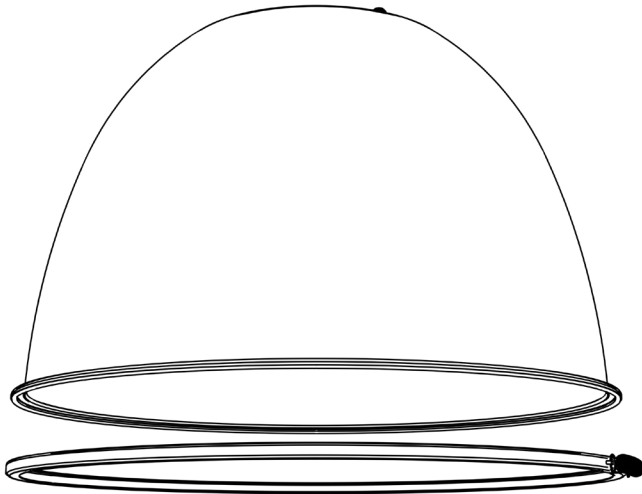


Metal Ring

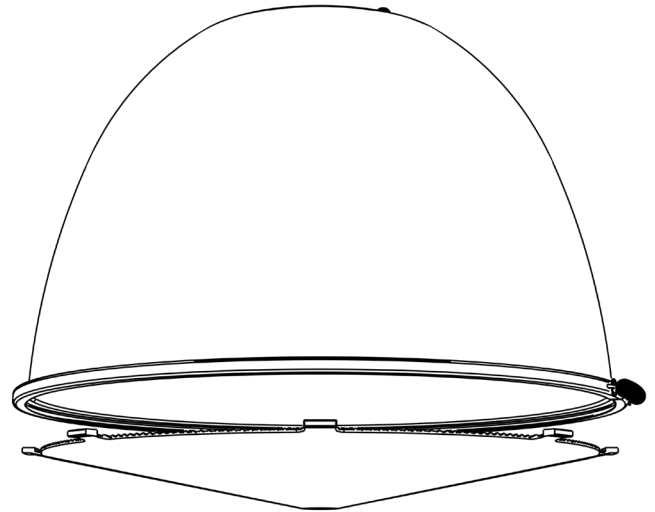
Installation Video: https://www.Filamento.com/INSV_ACC-xxx-CNL-000-FL

Instructions

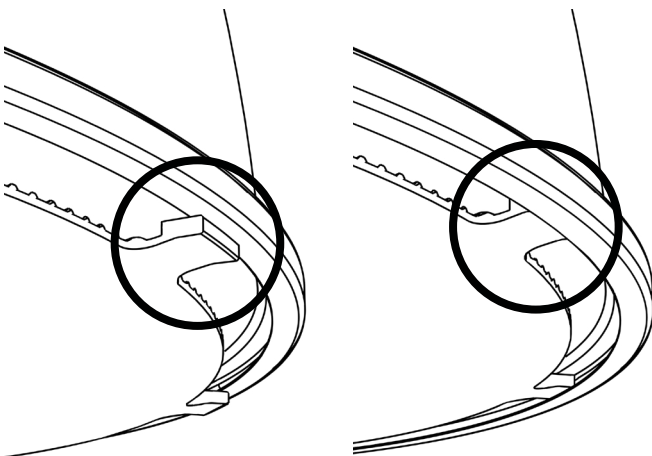
1. Place Metal Ring on Bell Reflector.



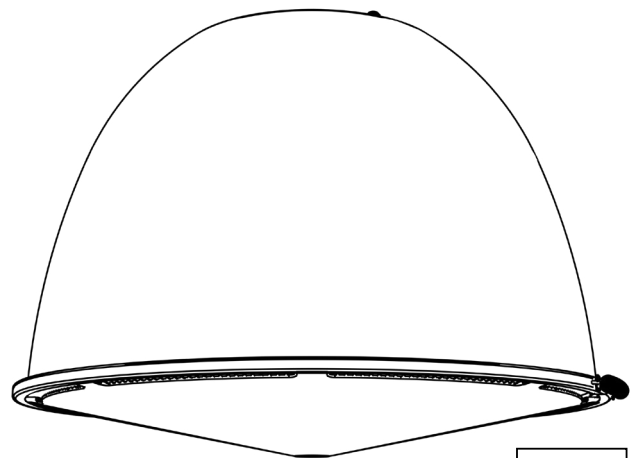
2. Place Conical Lens on rim of Bell Reflector.



3. Push tabs of Conical Lens into metal ring. Make sure all eight tabs are attached.



4. Installation complete!



[Installation Video](#)