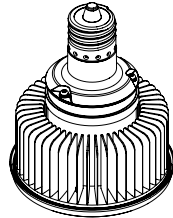
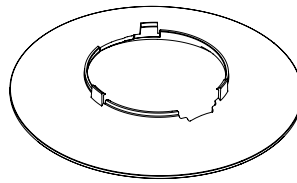


Provided Materials



VA6 Lamp

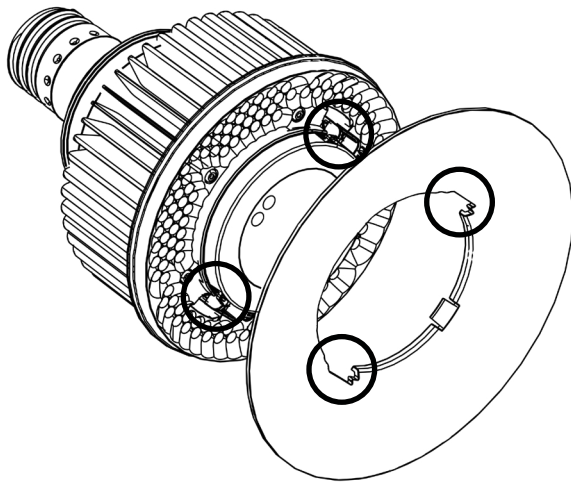


5" Uplight

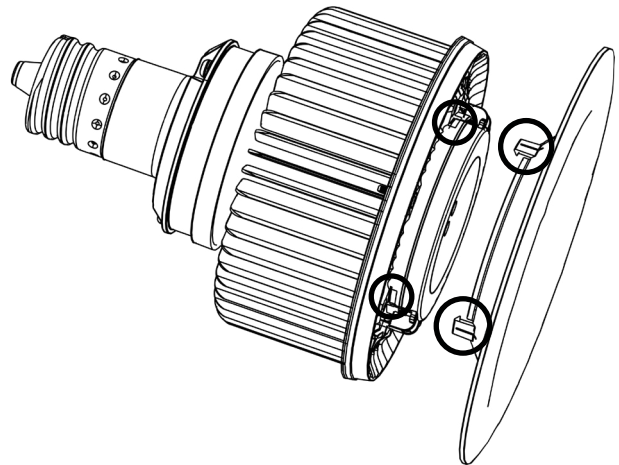
Installation Video: https://www.Filamento.com/INSV_ACC-005-U15-000-FL

Instructions

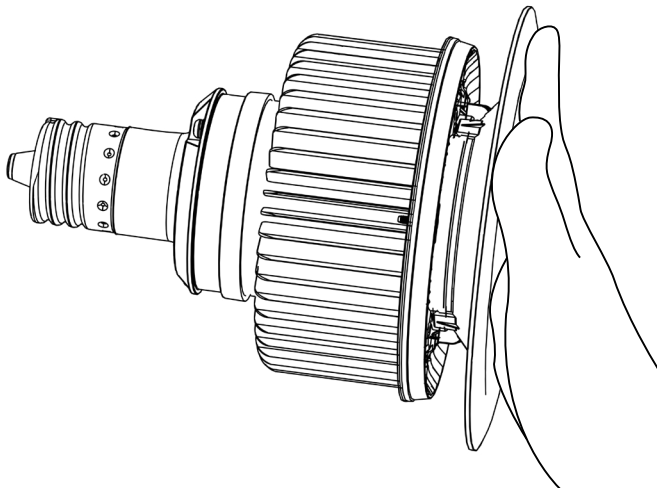
1. Align the tab of the lamp's cap with the grooves of the inner ring of the uplight.



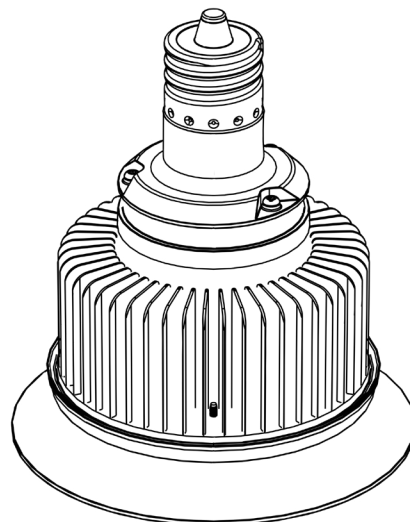
2. Align the tabs on bottom of the uplight with grooves on the lens of the lamp.



3. Gently press uplight into the lamp, and the uplight will click to lock into the lamp.

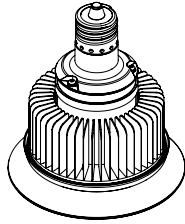


4. Installation complete.



[Installation Video](#)

Provided Materials



VA6 Lamp & 5" Uplight

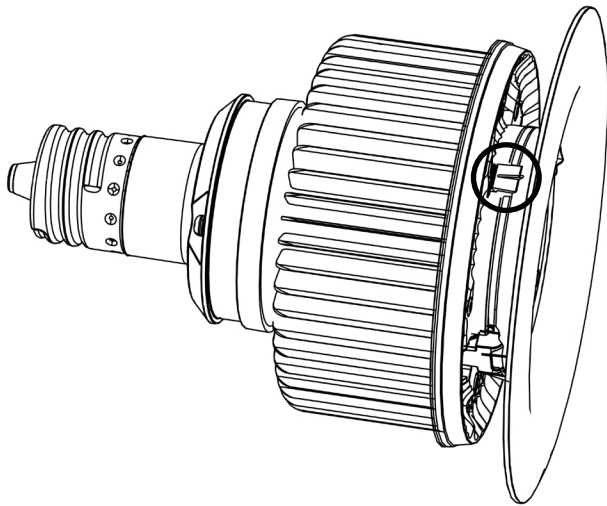


Screwdriver/Flathead

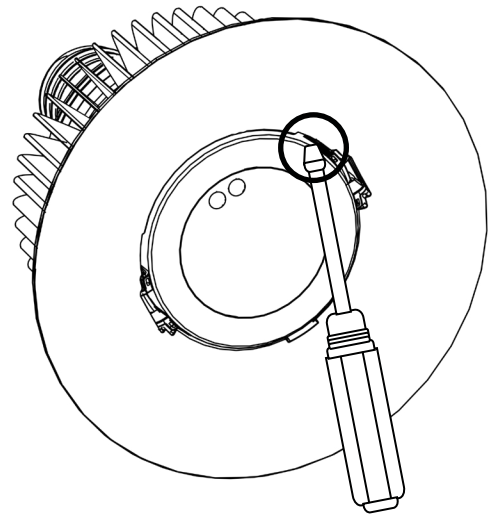
Installation Video: https://www.Filamento.com/INSV_ACC-005-U15-000-FL

Instructions

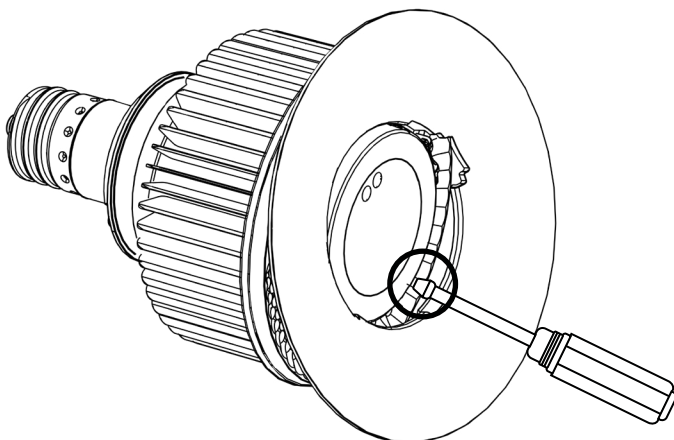
1. Locate the tabs where the uplight connects to the lamp.



2. Gently slide the screwdriver flathead into the groove between the uplight tab and the lamp.



3. Apply light pressure and wiggle the flathead to separate the uplight's tabs from the lamp's lens.



4. The uplight is now removed from the lamp.

